

# Freshman Mini

*External Storage Enclosure for  
1.8" Hitachi HDD*



## User Manual & Installation Guide

# Table of Contents

<b><u>CHAPTER 1 - INTRODUCTION</u></b>	<b>- 1 -</b>	<b><u>CHAPTER 3 - SYSTEM SET UP</u></b>	<b>- 5 -</b>
ICON KEY	- 1 -	CONNECTION TO YOUR COMPUTER	- 5 -
THE FRESHMAN MINI	- 1 -	INSTALLATION ON A PC	- 6 -
AVAILABLE INTERFACES	- 1 -	WINME, WIN2000 OR WINXP WITH USB	- 6 -
SYSTEM REQUIREMENTS	- 2 -	WIN98/SE WITH USB	- 6 -
PC REQUIREMENTS	- 2 -	UNPLUG PROCEDURE	- 6 -
MAC REQUIREMENTS	- 2 -	INSTALLATION ON A MACINTOSH	- 7 -
PACKAGE CONTENTS	- 2 -	MAC OS 9 OR MAC OS X WITH USB 1.1	- 7 -
<b><u>CHAPTER 2 - INSTALLING THE HDD</u></b>	<b>- 3 -</b>	MAC OS 10.2 OR 10.3 WITH USB 2.0	- 7 -
PREPARING THE ENCLOSURE	- 3 -	UNPLUG PROCEDURE	- 7 -
HARD DRIVE ASSEMBLY	- 4 -	PARTITIONING & FORMATTING	- 8 -
		PC RUNNING WIN98/SE OR WINME	- 8 -
		PC RUNNING WIN2000 OR WINXP	- 9 -
		MAC OS	- 10 -
		TECHNICAL QUESTIONS	- 11 -
		ABOUT THIS MANUAL	- 11 -

# Chapter 1 - Introduction

## Icon Key

Throughout this manual you will see icons on the left margin that denote either Notes or Special Remarks as outlined below:



General Notes and Tips



Remarks for PC users and Microsoft Windows OS



Remarks for Mac users and Apple Macintosh OS

## The Freshman Mini

The 'Freshman Mini' USB 2.0 aluminum enclosure is made for the latest Hitachi 1.8" Parallel ATA Hard Drive. Slim, compact and simple to use, the ideal storage solution for your daily data transfer. No hassle with power adapters anymore, this unit runs solely on bus power!

Product Dimensions:           8.5cm x 7.5cm x 1.3cm  
  3.35" x 2.95" x 0.60"

## Available Interfaces

- USB 2.0 High Speed



Mac OS 8.6 users should use USB extension 1.41 or later, to be able to use USB 1.1.



Package Content may vary, depending on vendor & version.

## System Requirements

### PC Requirements

- Minimum Intel Processor II 350MHz, 64MB RAM
- USB 1.1 equipped PC; Win98SE, WinME, Win2000, WinXP
- USB 2.0 equipped PC; Win98SE, WinME, Win2000, WinXP

### Mac Requirements

- Minimum Apple G3 processor, 64MB RAM
- USB 1.1 equipped Mac; Mac OS 9.1, 9.2, 10.1.5, 10.2, 10.3
- USB 2.0 equipped Mac; Mac OS 10.2, 10.3

## Package Contents

- Freshman Mini
- USB 2.0 Cable
- Manual
- Screw Package
- Driver CD for Win98/SE

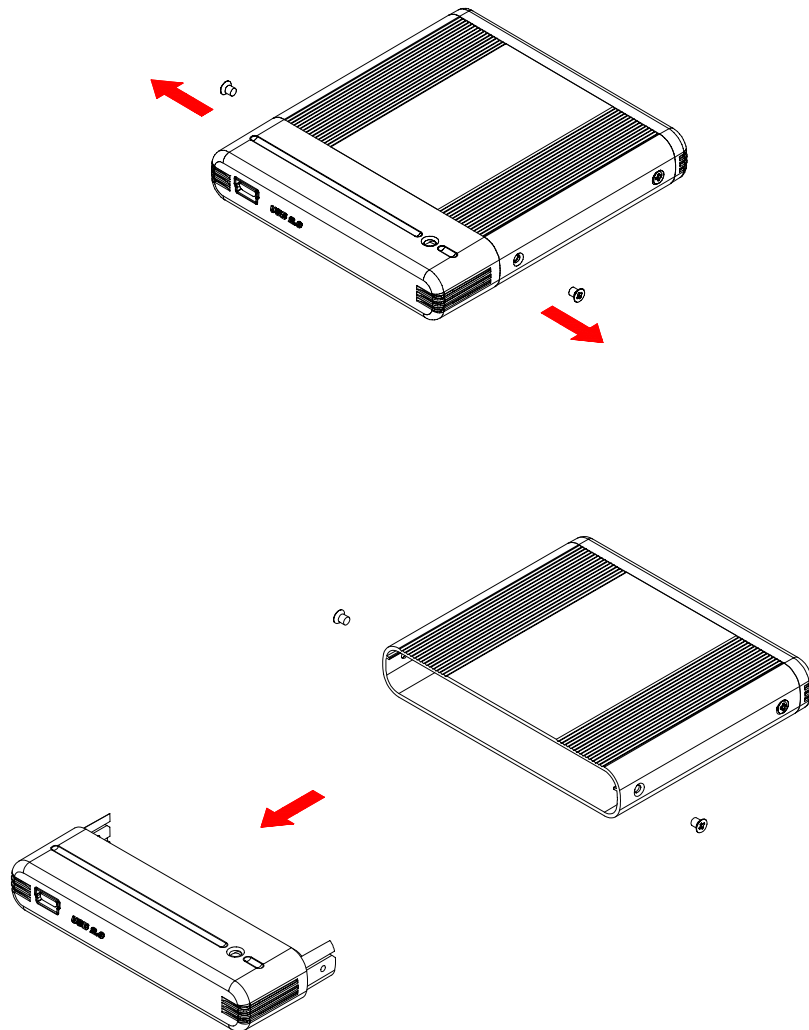
## Chapter 2 - Installing the HDD

### Preparing the Enclosure



Your unit might come with an installed hard drive. Before opening such an enclosure, please read the warranty and any other notes from your vendor carefully before doing so, as this might void your warranty.

Remove the 2 screws for the rear panel (not mounted if factory new) and pull out the panel with the bridge board, as seen on the images below.





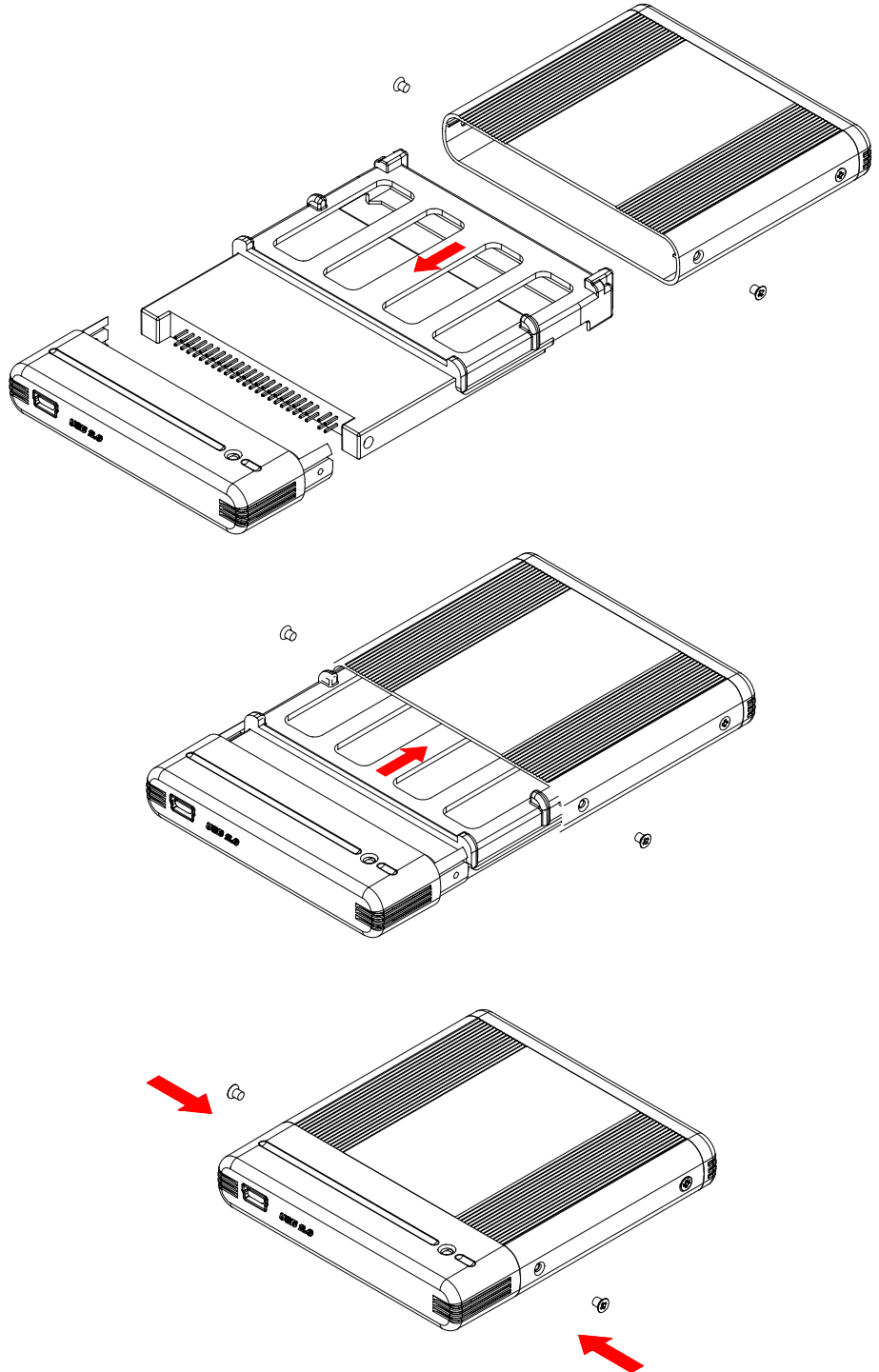
The hard drive jumper settings should be master.



Be careful not to damage any pins or components.

## Hard Drive Assembly

Protect the hard drive using the anti-shock rubber sleeve, then connect the hard drive and slide it back into the enclosure. Fasten the two (2) screws for the rear panel as seen on the images below.



## Chapter 3 - System Set Up

### Connection to your Computer

A few tips on how to connect your external storage enclosure:

- Make sure your PCI Host Card is installed correctly
- Double check that the Host Card driver is up to date
- If required, update your Operating System or BIOS
- Do not cover the Enclosure and leave enough room around it for the drive to cool down
- Do not expose the product to water or humid conditions
- Always check for visible damage and defects of your unit and interface cables before using it
- We strongly recommend only using the cables supplied with your product

## Installation on a PC

### WinME, Win2000 or WinXP with a USB connection:

- Turn on your Computer and start Windows
- Connect the Freshman Mini
- Let Windows search and install the driver automatically
- Open “My Computer” to see your external hard drive \*\*

### Win98/SE with a USB connection:

- Turn on your Computer and start Windows
- Insert the driver CD into your CD-ROM
- Connect the Freshman Mini
- Follow the onscreen instructions and install the drivers
- Open “My Computer” to see your external hard drive \*\*



For safe removal of your drive and to assure that no data is lost, always follow the unplug procedure. If not, an error message will show up.

### Unplug Procedure:

- Click on the taskbar icon for external hardware
- Choose your external hard drive and confirm to remove it



\*\* For factory new drives and formatting, see “Partitioning & Formatting”





For Mac OS 8.6, the USB extension has to be at least v1.41.



For safe removal of your drive and to assure that no data is lost, always follow the unplug procedure. If not, an error message will show up.

## Installation on a Macintosh

### Mac OS 9.x or Mac OS 10.x with a USB 1.1 connection:

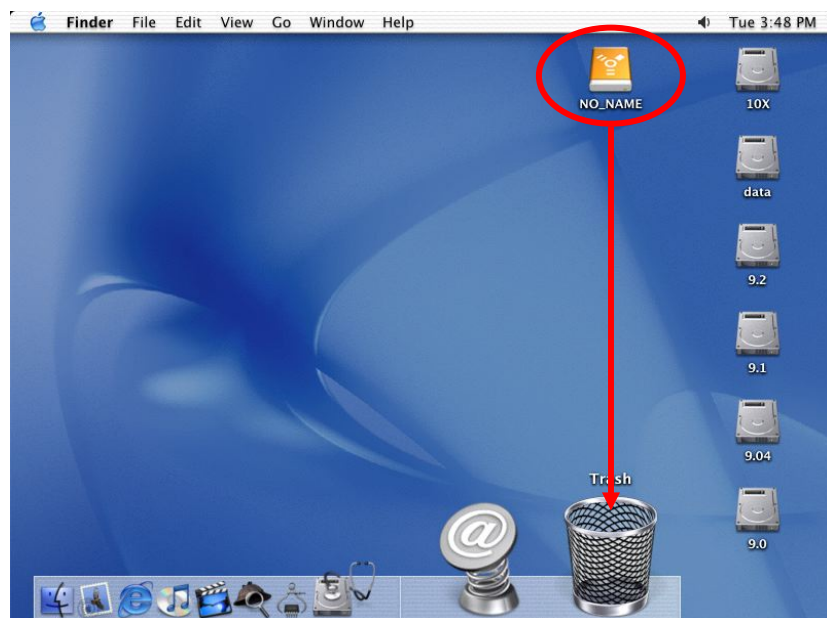
- Turn on your computer and start Mac OS
- Connect the Freshman Mini
- No driver installation required
- The external drive will mount and show up on your desktop\*\*

### Mac OS 10.2 or 10.3 with a USB 2.0 connection:

- Turn on your computer and start Mac OS
- Connect the Freshman Mini
- No driver installation required
- The external drive will mount and show up on your desktop\*\*

### Unplug Procedure:

- Drag the external hard drive icon into the trash bin
- Turn off your device



\*\* For factory new drives and formatting, see “Partitioning & Formatting”



You can choose to create several partitions but be aware that if you want to change this at a later point, it's required to format the drive again or use 3<sup>rd</sup> party software.



Win98/SE and WinME do not recognize NTFS formatted drives, so if you want to use your drive on those platforms, we recommend you to use FAT32 instead.



If you use this device to backup your data using a 3<sup>rd</sup> party software running MS-DOS, we recommend you to format the drive using FAT32.

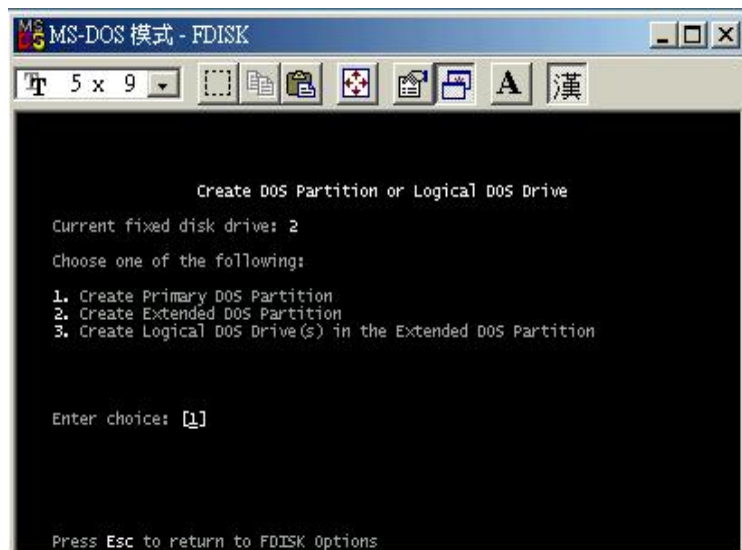
## Partitioning & Formatting

Be aware that this will destroy all your existing data on the drive, so make sure you have a backup! This step is usually only required the first time you install a factory new hard drive, if you change the format or want to erase all data on your drive.

### PC running Win98/SE or WinME:

MS-DOS command "fdisk" (press Enter to confirm)

- Type "fdisk" and press Enter
- Select "Y" and press Enter
- Enter "5" to change the drive
- Select the drive you want to format
- Choose "1" and follow the onscreen instructions





Mac OS does not recognize NTFS formatted drives, to use your device on both platforms, we recommend you using FAT32.



If you use Win2000 or WinXP and FAT32, the biggest single partition you can create will be 32GB. To create larger partitions, you need to use the DOS command under Win98SE or WinME or change to NTFS format.

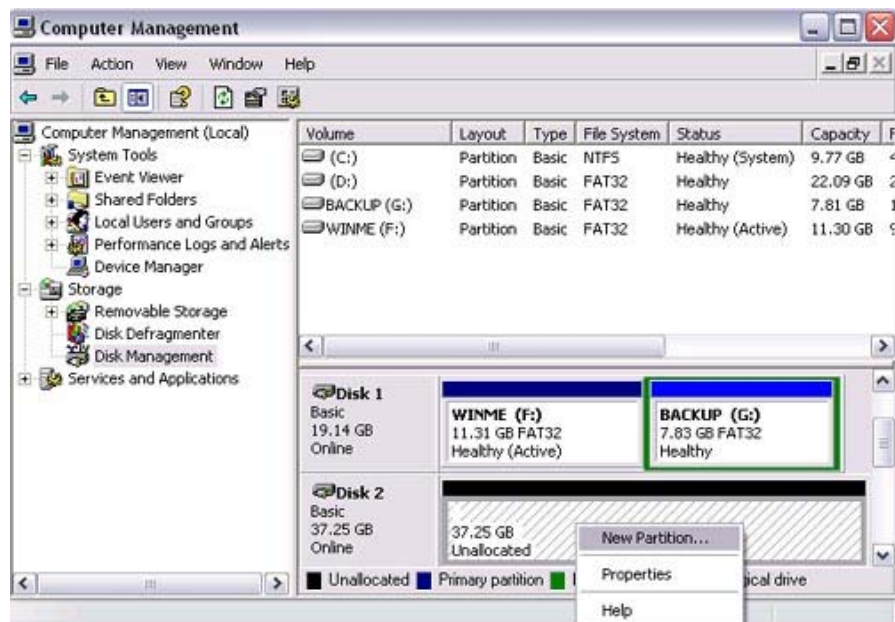


If you can not see the drive, make sure the jumper settings are correct, the drivers are installed and the USB cable is connected correctly!

## PC running Win2000 or WinXP:

### Disk Management Program

- Right click on “My Computer” and choose “Manage”
- Select “Disk Management”
- Right click on the Disk X (your external drive) and initialize it
- Then the drive you want to format and right click on it for further commands (Choose New Partition)
- Follow the Partition Wizard and create your primary partition
- Choose Quick Format before finishing, to format the drive in the same step





If you want to use your drive on a PC running Microsoft Windows as well as on your Mac, we recommend you to use a PC to format the drive. Choose FAT32 when formatting and do not change anything on the partition or format on your Mac, otherwise the PC will not be able to recognize the drive anymore.



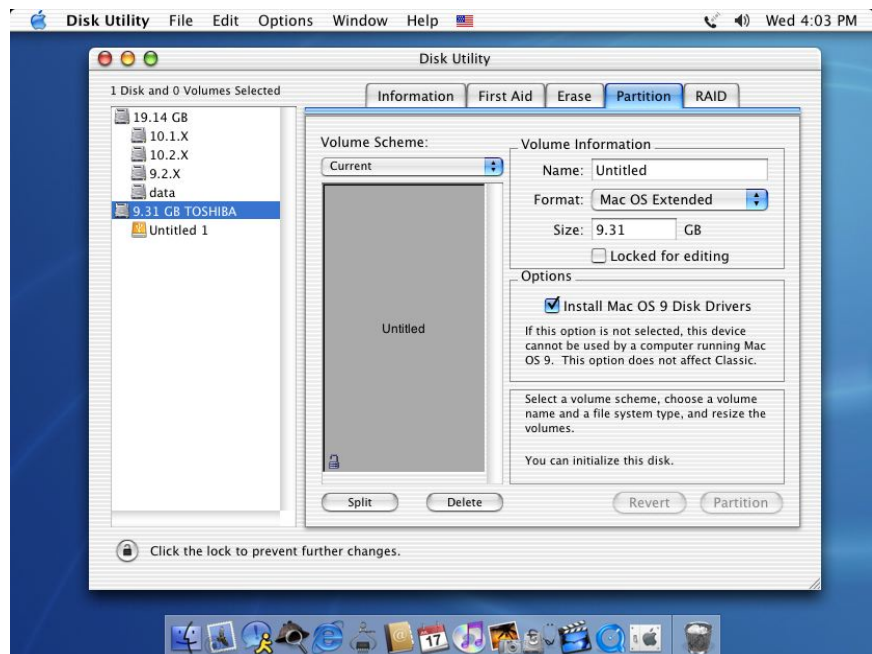
If you can not see the drive, make sure the jumper settings of your hard drive are correct, there are no extension conflicts and the USB cable is connected correctly!

## Mac OS:

Mac OS9.2 and earlier, does not support creating partitions on an external drive. To do that, you would need to purchase additional 3<sup>rd</sup> party software. Initializing is no problem on all Operating Systems.

For Mac OS X, use the Disk Utility to format and create partitions on your external disk.

- Select “Disk Utilities” in the utilities folder
- Choose your external drive and format it according to your requirement





Please read your warranty carefully, as this may vary between different vendors!

## **Technical Questions:**

For RMA and other questions, please contact your vendor or check out their online support area!

## **About this Manual:**

Images and descriptions used might slightly vary between this manual and the actual product you have.

© Copyright 2004 by Macpower & Tytech Technology Co., LTD. all Rights Reserved

The information contained in this manual is believed to be accurate and reliable. Macpower & Tytech Technology Co., LTD. assumes no responsibility for any errors contained in this manual. Macpower & Tytech Technology Co., LTD. reserves the right to make changes in the specifications and/or design of the above mentioned product without prior notice. The diagrams contained in this manual may also not fully represent the product that you are using and are there for illustration purposes only. Macpower & Tytech Technology Co., LTD. assumes no responsibility for any differences between the product mentioned in this manual and the product you may have.