

Honoree 2

*External Enclosure for
optical slim type drives*

User Manual (English)



EN

Table of Contents

CHAPTER 1 INTRODUCTION - 1 -

ICON KEY - 1 -

THE HONOREE 2 - 1 -

AVAILABLE INTERFACES - 1 -

SYSTEM REQUIREMENTS - 2 -

PC REQUIREMENTS - 2 -

MAC REQUIREMENTS - 2 -

PACKAGE CONTENTS - 2 -

CHAPTER 2 INSTALLING THE DRIVE - 3 -

PREPARING THE ENCLOSURE - 3 -

DRIVE ASSEMBLY - 4 -

CHAPTER 3 SYSTEM SET UP - 5 -

CONNECTION TO YOUR COMPUTER - 5 -

INSTALLATION ON A PC - 6 -

WIN2000 OR WINXP WITH A USB OR FIREWIRE
CONNECTION - 6 -

WIN98SE WITH A FIREWIRE CONNECTION - 6 -

WIN98/SE WITH A USB CONNECTION - 6 -

UNPLUG PROCEDURE - 6 -

INSTALLATION ON A MACINTOSH - 7 -

MAC OS 9.X OR MAC OS 10.X WITH A FIREWIRE
OR USB CONNECTION - 7 -

MAC OS 10.2 OR 10.3 WITH A USB 2.0
CONNECTION - 7 -

UNPLUG PROCEDURE - 7 -

TECHNICAL QUESTIONS - 8 -

ABOUT THIS MANUAL - 8 -

Chapter 1 Introduction

Icon Key

Throughout this manual you will see icons on the left margin that denote either Notes or Special Remarks as outlined below:



General Notes and Tips



Remarks for PC users and Microsoft Windows OS



Remarks for Mac users and Apple Macintosh OS

The Honoree 2

The External Enclosure “Honoree 2” is made of high quality aluminum, excellent for heat-dissipation. It provides a stylish and practical solution for your backup. Available with various types of interfaces, this is the perfect solution for all platforms, as well as for transferring data between different computers.

Product Dimensions: 14.3cm x 14.5cm x 2.1cm
 5.63” x 5.71” x 0.83”

Available Interfaces

- USB 2.0 High Speed
- Firewire 1394a & USB 2.0



Mac OS 8.6 users should use USB extension 1.41 or Firewire extension 2.6 and later, to be able to use USB 1.1 or 1394a.



Package Content may vary, depending on vendor & version.

System Requirements

PC Requirements

- Minimum Intel Processor II 350MHz, 64MB RAM
- USB 1.1 equipped PC; WinME, Win2000, WinXP
- USB 2.0 equipped PC; WinME, Win2000, WinXP
- 1394a equipped PC; Win98SE, WinME, Win2000, WinXP

Mac Requirements

- Minimum Apple G3 processor (G4 for 1394b), 64MB RAM
- USB 1.1 equipped Mac; Mac OS 9.1, 9.2, 10.1.5, 10.2, 10.3
- USB 2.0 equipped Mac; Mac OS 10.2, 10.3
- 1394a equipped Mac; Mac OS 9.1, 9.2, 10.1.5, 10.2, 10.3

Package Contents

- “Honoree 2” Enclosure
- External Power Adapter;
Input 100-240V, Output 5V/2A
- Driver CD (for USB only)
- Manual
- Protective Bag
- Interface Cable

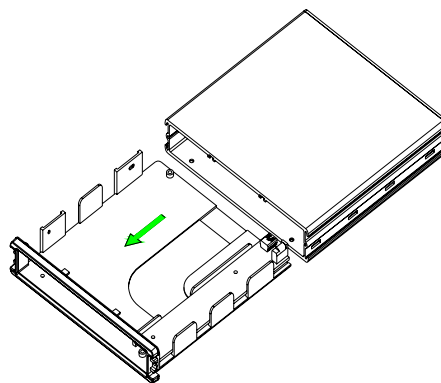
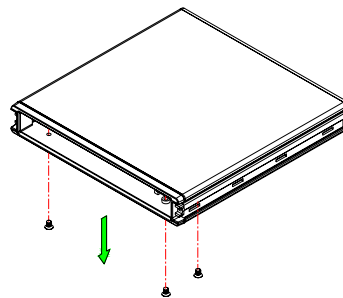
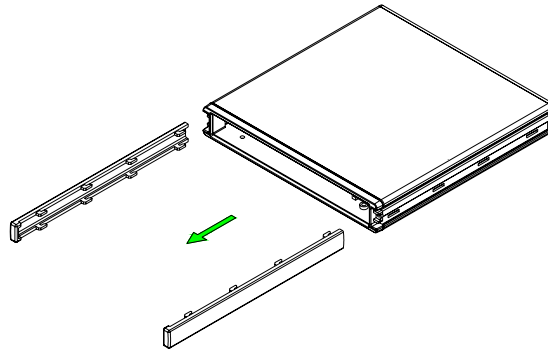
Chapter 2 Installing the Drive

Preparing the Enclosure



Your unit might come with an installed drive. Before opening such an enclosure, please read the warranty and any other notes from your vendor carefully before doing so, as this might void your warranty.

Remove the side panels, unfasten the two (2) screws for the back panel and the three (3) screws for the plastic shell. Pull out the plastic shell.

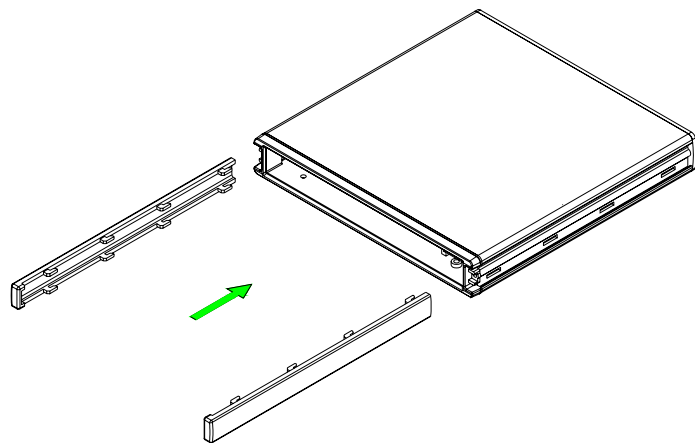
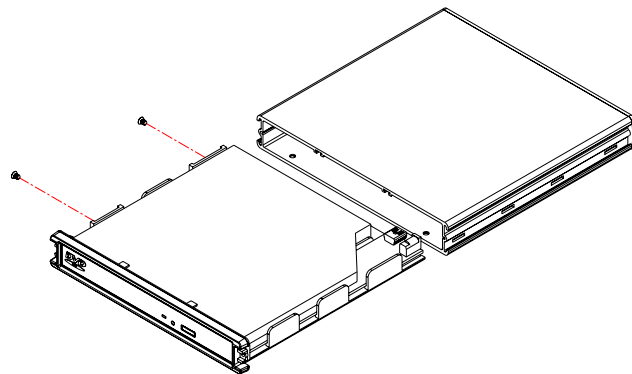




Be careful not to damage any cables or components and double check the connection between the bridge board and your drive when you install it.

Drive Assembly

Install the drive and fasten it with the two (2) screws from the left side. Slide the drive into the enclosure, fasten the three (3) screws for the plastic shell and the two (2) screws for the back panel. Slide the side panels in place and use the rubber feet to cover the screws at the bottom.



Chapter 3 System Set Up

Connection to your Computer



If you buy a spare power adapter for your working place or at home, make sure the output and polarity is identical with the power adapter supplied!



Make sure not to insert the Firewire 6-pin connector the wrong way around, or you will damage the device!

A few tips on how to connect your external storage enclosure:

- Make sure your PCI Host Card is installed correctly
- Double check that the Host Card driver is up to date
- If required, update your Operating System or BIOS
- Only one interface at the time can be used
- Only one computer at the time can access the drive
- Do not cover the Enclosure and leave enough room around it for the drive to cool down
- Do not expose the product to water or humid conditions
- If possible, arrange the cables so they do not cross each other
- Always check for visible damage and defects of power and interface cables before using it
- We recommend using the cables and adapter supplied with your product

Note:

Please connect the power adaptor first, wait a few seconds for the drive to power up and then connect the interface cable.



Win98 does not support Firewire, you need to upgrade your OS to Win98SE or higher.



For safe removal of your drive and to assure that no data is lost, always follow the unplug procedure. If not, an error message will show up.

Installation on a PC

Win2000 or WinXP with a USB or Firewire connection:

- Turn on your Computer and start Windows
- Connect the Honoree drive
- Let Windows search and install the driver automatically
- Open "My Computer" to see your external drive

Win98SE with a Firewire connection:

- Turn on your Computer and start Windows
- Connect the Honoree drive
- Let Windows search and install the driver automatically
- Open "My Computer" to see your external drive

Win98/SE with a USB connection:

- Turn on your Computer and start Windows
- Insert the driver CD into your CD-ROM
- Connect the Honoree drive
- Follow the onscreen instructions and install the drivers
- Open "My Computer" to see your external drive

Unplug Procedure:

- Click on the taskbar icon for external hardware
- Choose your external drive and confirm to remove it





For Mac OS 8.6, the USB extension has to be at least v1.41.



For Mac OS 8.6, the Firewire extension has to be at least v2.6.



For safe removal of your drive and to assure that no data is lost, always follow the unplug procedure. If not, an error message will show up.

Installation on a Macintosh

Mac OS 9.x or Mac OS 10.x with a Firewire or USB connection:

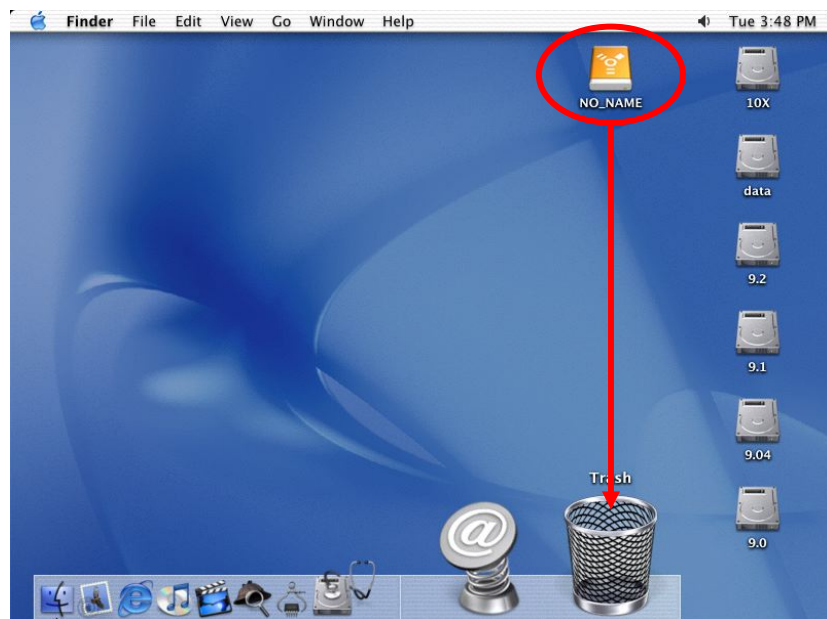
- Turn on your computer and start Mac OS
- Connect the Honoree drive
- No driver installation required
- The external drive will mount and show up on your desktop*

Mac OS 10.2 or 10.3 with a USB 2.0 connection:

- Turn on your computer and start Mac OS
- Connect the Honoree drive
- No driver installation required
- The external drive will mount and show up on your desktop*

Unplug Procedure:

- Drag the external drive icon into the trash bin
- Turn off your device



* The drive will only show up on your desktop if a CD/DVD is inserted!



Please read your warranty carefully, as this may vary between different vendors!

Technical Questions:

For RMA and other questions, please contact your vendor or check out their online support area!

About this Manual:

This manual covers all interfaces and combinations for the Honoree Enclosure. Images and descriptions might therefore slightly vary between this manual and the actual product you have.

© Copyright 2005 by Macpower & Tytech Technology Co., Ltd. all Rights Reserved

The information contained in this manual is believed to be accurate and reliable. Macpower & Tytech Technology assumes no responsibility for any errors contained in this manual. Macpower & Tytech Technology reserves the right to make changes in the specifications and/or design of this product without prior notice. The diagrams contained in this manual may also not fully represent the product that you are using and are there for illustration purposes only. Macpower & Tytech Technology assumes no responsibility for any differences between the product mentioned in this manual and the product you may have