

HotButtered

*External Storage Enclosure for
5.25" Optical Devices*



User Manual & Installation Guide

Table of Contents

<u>CHAPTER 1 - INTRODUCTION</u>	- 1 -	<u>CHAPTER 3 - SYSTEM SET UP</u>	- 5 -
ICON KEY	- 1 -	CONNECTION TO YOUR COMPUTER	- 5 -
THE HOT BUTTERED	- 1 -	INSTALLATION ON A PC	
AVAILABLE INTERFACES	- 1 -	(MICROSOFT WINDOWS)	- 6 -
SYSTEM REQUIREMENTS	- 2 -	WIN2000 OR WINXP WITH A	
PC REQUIREMENTS	- 2 -	USB OR FIREWIRE CONNECTION	- 6 -
MAC REQUIREMENTS	- 2 -	WIN98SE WITH A FIREWIRE CONNECTION	- 6 -
PACKAGE CONTENTS	- 2 -	WIN98/SE WITH A USB CONNECTION	- 6 -
		UNPLUG PROCEDURE	- 6 -
<u>CHAPTER 2 - INSTALLING THE DRIVE</u>	- 3 -	INSTALLATION ON A MACINTOSH	
		(APPLE MAC OS)	- 7 -
PREPARING THE ENCLOSURE	- 3 -	MAC OS 9.X OR MAC OS 10.X WITH A	
DRIVE ASSEMBLY	- 4 -	FIREWIRE OR USB CONNECTION	- 7 -
		MAC OS 10.2 OR 10.3 WITH A	
		FIREWIRE 800 OR USB 2.0 CONNECTION	- 7 -
		UNPLUG PROCEDURE	- 7 -
		BURNING A CD/DVD	- 8 -
		TECHNICAL QUESTIONS	- 8 -
		ABOUT THIS MANUAL	- 8 -

Chapter 1 - Introduction

Icon Key

Throughout this manual you will see icons on the left margin that denote either Notes or Special Remarks as outlined below:



General Notes and Tips



Remarks for PC users and Microsoft Windows OS



Remarks for Mac users and Apple Macintosh OS

The Hot Buttered

The 'Hot Buttered', a stylish and compact designed enclosure made for a single 5.25" optical drive. Features external AC adaptor, quality polycarbonate construction and silent onboard fan.

Product Dimensions: 27.0cm x 16.5cm x 5.2cm
 10.63" x 6.50" x 2.05"

Available Interfaces

- USB 2.0 High Speed
- Firewire 1394a
- Firewire 1394a & USB 2.0



Mac OS 8.6 users should use USB extension 1.41 or Firewire extension 2.6 and later, to be able to use USB 1.1 or 1394a.



Package Content may vary, depending on vendor & version.

System Requirements

PC Requirements

- Minimum Intel Processor II 350MHz, 64MB RAM
- USB 1.1 equipped PC; Win98SE, WinME, Win2000, WinXP
- USB 2.0 equipped PC; Win98SE, WinME, Win2000, WinXP
- 1394a equipped PC; Win98SE, WinME, Win2000, WinXP

Mac Requirements

- Minimum Apple G3 processor, 64MB RAM
- USB 1.1 equipped Mac; Mac OS 9.1, 9.2, 10.1.5, 10.2, 10.3
- USB 2.0 equipped Mac; Mac OS 10.2, 10.3
- 1394a equipped Mac; Mac OS 9.1, 9.2, 10.1.5, 10.2, 10.3

Package Contents

- Hot Buttered
- External Power Adapter; Input 100-240V, Output 12V/3A
- Power Cord
- Interface Cable
- Driver CD (single USB 2.0 and 1394a/USB2.0 version only)

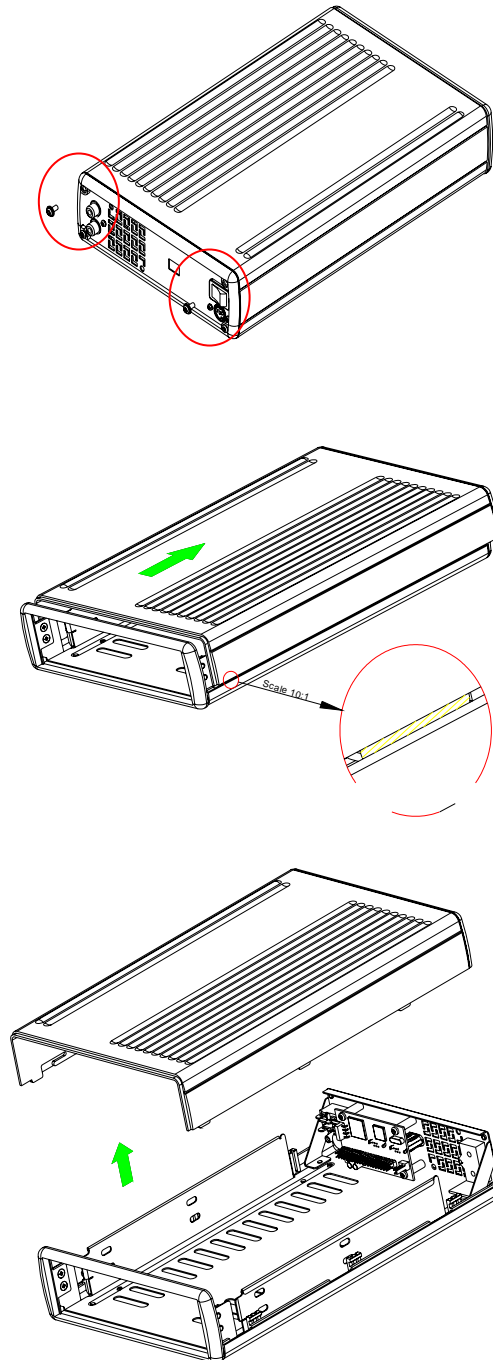
Chapter 2 - Installing the Drive

Preparing the Enclosure



Your unit might come with an installed drive. Before opening such an enclosure, please read the warranty and any other notes from your vendor carefully before doing so, as this might void your warranty.

At the back, unfasten the two screws for the top cover, then push the cover gently towards the rear end for about one centimeter and open the case.





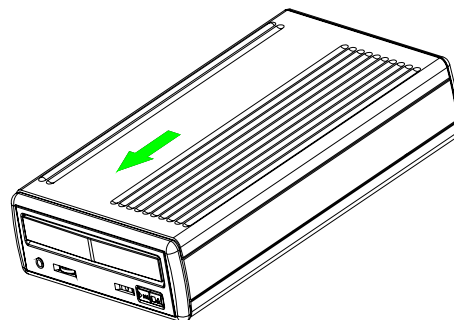
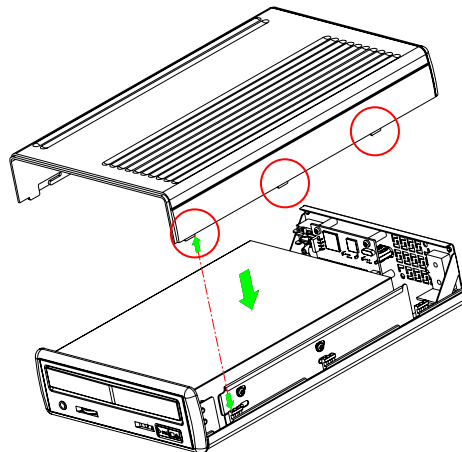
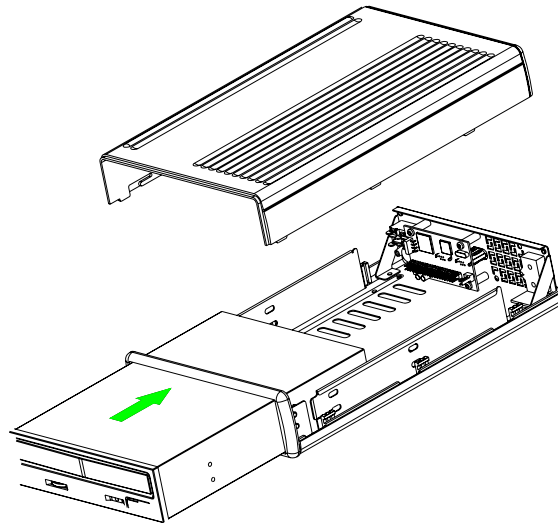
The jumper settings of the drive should be master or factory default.



Be careful not to damage any cables or components and double check the connection between the cables, the bridge board and your drive before you close up the case.

Drive Assembly

Connect the ATA cable and power line to your drive. Install the drive and fasten it with four screws. Align the top cover with the body and push the top cover gently towards the front until it lines up with the body. Connect your power adapter and interface cable.





Most problems occur due to driver problems on the Host Card side!



If you buy a spare power adapter for your working place or at home, make sure the output and polarity is identical with the power adapter supplied!

Chapter 3 - System Set Up

Connection to your Computer

A few tips on how to connect your external storage enclosure:

- Make sure your PCI Host Card is installed correctly
- Double check that the Host Card driver is up to date
- If required, update your Operating System or BIOS
- Only one interface at the time can be used
- Only one computer at the time can access the drive
- To use one drive on several computers, it can be shared through one computer on the network (1394 network, company network)
- Firewire can be daisy chained
- All devices in a daisy chain have to be switched on to permit the hub/daisy chain function
- Do not cover the Enclosure and leave enough room around it for the drive to cool down
- Do not expose the product to water or humid conditions
- If possible, arrange the cables so they do not cross each other
- Always check for visible damage and defects of power and interface cables before using it
- We recommend using the cables and adapter supplied with your product



If the system doesn't recognize the drive, turn on the power first, before connecting the USB/Firewire cable.



Win98 does not support Firewire, you need to upgrade your OS to Win98SE or higher.



For safe removal of your drive, always follow the unplug procedure. If not, an error message will show up.

Installation on a PC (Microsoft Windows)

Win2000 or WinXP with a USB or Firewire connection:

- Turn on your Computer and start Windows
- Connect the Hot Buttered and turn it on
- Let Windows search and install the driver automatically
- Open "My Computer" to see your external drive

Win98SE with a Firewire connection:

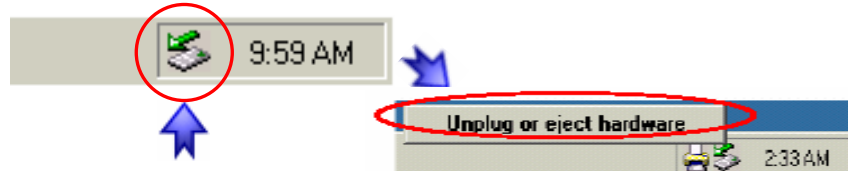
- Turn on your Computer and start Windows
- Connect the Hot Buttered and turn it on
- Let Windows search and install the driver automatically
- Open "My Computer" to see your external drive

Win98/SE with a USB connection:

- Turn on your Computer and start Windows
- Insert the driver CD into your internal CD-ROM
- Connect the Hot Buttered and turn it on (in some cases the driver must be installed before connecting the device, see note on CD or readme file)
- Follow the onscreen instructions and install the drivers
- Open "My Computer" to see your external drive

Unplug Procedure:

- Click on the taskbar icon for external hardware
- Choose your external drive and confirm to remove it





If the system doesn't recognize the drive, turn on the power first, before connecting the USB/Firewire cable.



For Mac OS 8.6, the USB extension has to be at least v1.41.



For Mac OS 8.6, the Firewire extension has to be at least v2.6.



For safe removal of your drive, always follow the unplug procedure. If not, an error message will show up.

Installation on a Macintosh (Apple Mac OS)

Mac OS 9.x or Mac OS 10.x with a Firewire or USB connection:

- Turn on your computer and start Mac OS
- Connect the Hot Buttered and turn it on
- No driver installation required
- The external drive will mount and show up on your desktop**

Mac OS 10.2 or 10.3 with a Firewire 800 or USB 2.0 connection:

- Turn on your computer and start Mac OS
- Connect the Hot Buttered and turn it on
- No driver installation required
- The external drive will mount and show up on your desktop**

Unplug Procedure:

- Drag the external drive icon into the trash bin to eject the CD and then turn it off or disconnect it.



** The drive only shows up on the desktop if a CD or DVD is inserted!



iDVD does not support external drives, we recommend you to install a third party software like 'Toast'.



If you run Mac OS 9.x and the external CD/DVD burner is not recognized, check your USB/Firewire extensions for possible conflicts.



Please read your warranty carefully, as this may vary between different vendors!

Burning a CD/DVD

To burn a CD/DVD, we recommend using third party software like 'Nero' for the PC or 'Toast' for Mac. If you have an internal CDRW but want to use an external DVD burner instead, change the burner under 'Recorder' or click on the drop down list and choose your external device.

For further information, please refer to the manual and instructions of your burning software.

Technical Questions

For RMA and other questions, please contact your vendor or check out their online support area!

About this Manual

This manual covers all interfaces and combinations for the 'Hot Buttered' Enclosure. Images and descriptions might therefore slightly vary between this manual and the actual product you have.

© Copyright 2004 by Macpower Peripherals Ltd. all Rights Reserved

The information contained in this manual is believed to be accurate and reliable. Macpower Peripherals Ltd. assumes no responsibility for any errors contained in this manual. Macpower Peripherals Ltd. reserves the right to make changes in the specifications and/or design of the above mentioned product without prior notice. The diagrams contained in this manual may also not fully represent the product that you are using and are there for illustration purposes only. Macpower Peripherals Ltd. assumes no responsibility for any differences between the product mentioned in this manual and the product you may have.