

# Mvisto

---

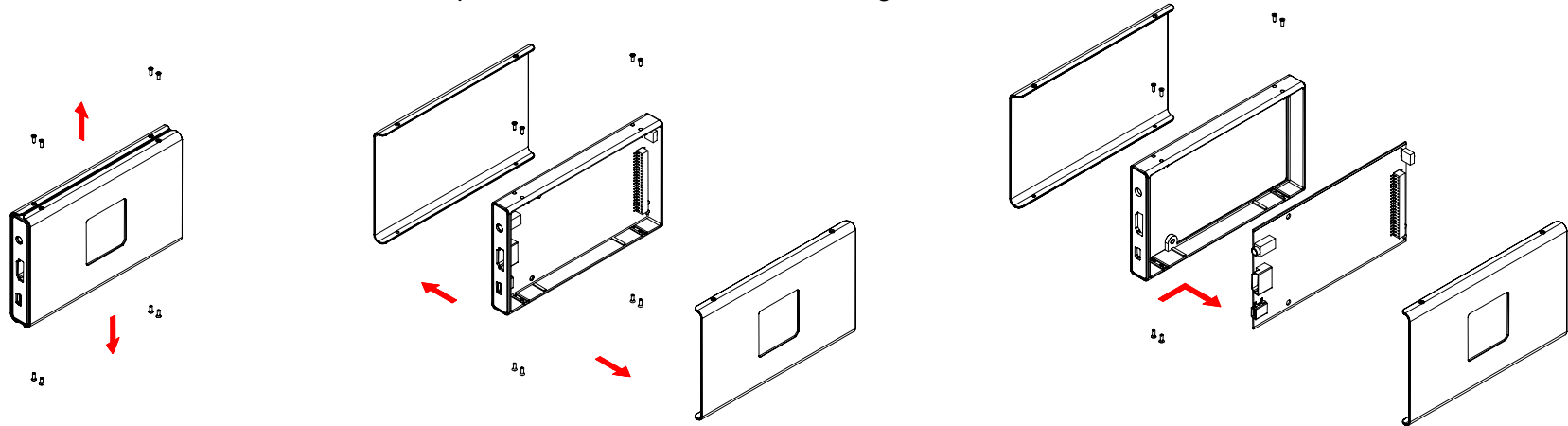
## Quick Installation Guide

Version 1.0

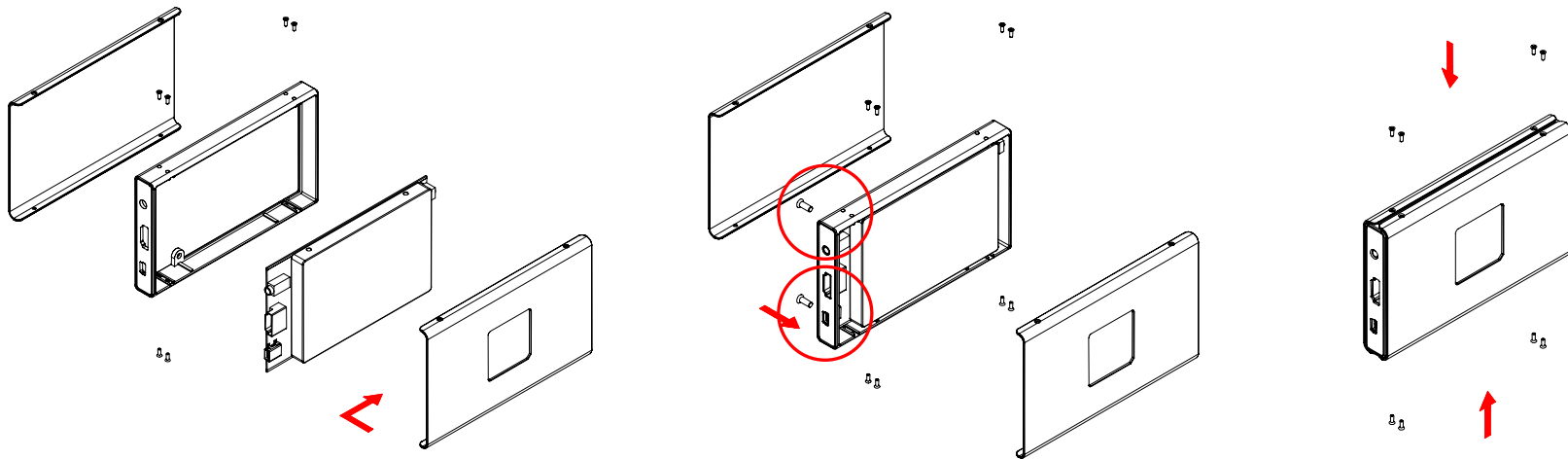


## (1) Install the Hard Drive

a) Remove the screws as seen below, open the case and take out the bridge board.



b) Install your hard drive but be careful not to damage any pins or components! Jumper settings of your hard drive should be set to Master. Fasten the hard drive to the frame and bridge board with the two (2) screws. Replace the covers and fasten the screws.



## (2) Format the Hard Drive

Create a single primary partition and format the drive. For further details regarding NTFS/FAT32/HFS file formats, refer to the User Guide.

## (3) Create the Directories

Create four (4) empty directories, named exactly as follows:

- **Firmware**
- **Movies**
- **Music**
- **Pictures**

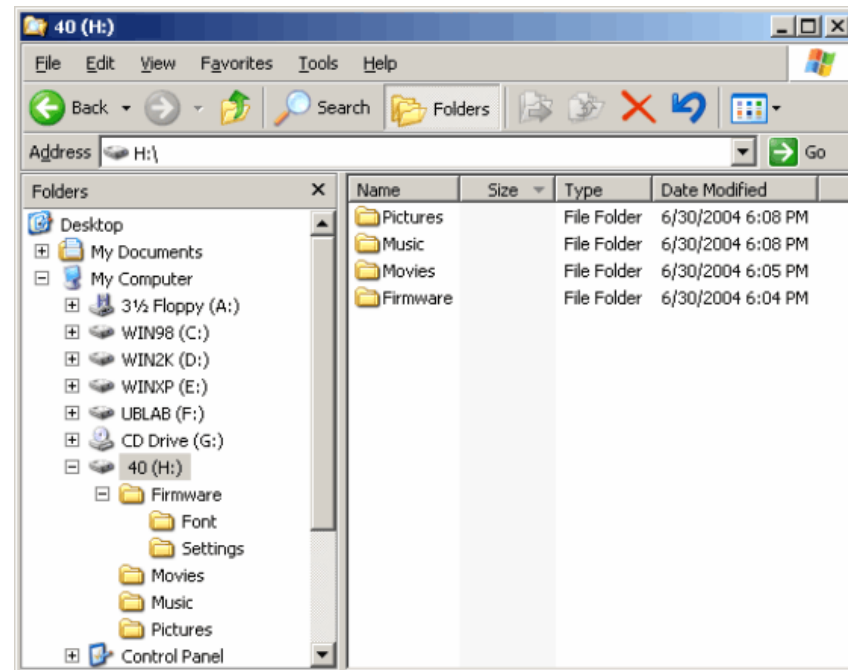
## (4) Copy the Files and Data

Copy your files from your computer to the 'Mvisto'. Movie files to the folder "Movies", Audio files to the folder "Music" and Images to the folder "Pictures".

## (5) Connect it to the TV

Connect the 'Mvisto' to your TV, connect the power supply to the wall socket and then use the remote control for further commands.

**Press the "Video Output" button to toggle between the different TV formats if you do not see the 'Mvisto' on your TV screen.** Done! Your unit is now ready for use.



## Safety Information

### Power on/off precautions

It is highly recommended to switch the unit to standby mode (yellow light) when not in use and remove the power supply if not used for longer periods of time. Note: Mvisto will switch to stand-by mode automatically if idle for more than 30 minutes.

### Location and placing precautions

Set the Mvisto unit up in a vertical position and DO NOT place any other objects on top of the unit. Do not place the unit on an amplifier or other equipment that can become hot. Avoid positioning your Mvisto device in the following places:

- Locations with direct sunlight, next to radiators, other sources of heat, or in vehicles that are parked directly in the sun with the windows and doors closed.
- Locations with very high temperature (more than 35° C) or humidity (more than 90%) for prolong period of time.
- Very dusty or sandy locations.
- Locations subject to vibration, shock, or with a sloping base.

### Electricity and power plug

Careful attention must be paid to the following points in order to avoid operational faults with the equipment and to prevent electric shock, fire, and injury:

- When removing the power cable from the socket, always pull on the plug and never on the cable.
- Do not connect and remove the power cable with wet hands.
- Never try to repair the power cable yourself or to modify it in any way.
- If the unit is dropped or becomes damaged in any other way, unplug the power cable.
- If the unit should emit smoke, unusual smell, or noise, switch it off and unplug the power cable. In such cases, please contact your dealer.
- If the unit is not used for extended periods, then the power plug should be removed from the socket.

### Cables

Use only the cables supplied or recommended by your vendor in order to avoid the risk of malfunction, electric shock, and possible interference of the device.