

Orion

*Storage Enclosure for
3.5" Hard Drives*



User Manual *(English)*

v1.0
October 18, 2006

EN

Table of Contents

CHAPTER 1 - INTRODUCTION **1**

ICON KEY	1
THE ORION	1
AVAILABLE INTERFACES	1
PACKAGE CONTENTS	1
SYSTEM REQUIREMENTS	2
PC REQUIREMENTS	2
MAC REQUIREMENTS	2
LED INDICATOR	2
ABOUT DATA BACKUP	2

CHAPTER 2 - INSTALLING THE HDD **3**

CHAPTER 3 - SYSTEM SET UP **5**

CONNECTION TO YOUR COMPUTER	5
DETAILED VIEW	5
REAR VIEW	5
INSTALLATION ON A PC	6
REMOVAL PROCEDURE	6
INSTALLATION ON A MACINTOSH	7
REMOVAL PROCEDURE	7
PARTITIONING & FORMATTING	8
PC RUNNING WIN98/SE OR WINME	8
PC RUNNING WIN2000 OR WINXP	9
MAC OS	10

CHAPTER 4 - APPENDIX **11**

TECHNICAL QUESTIONS	11
FAQ	11
ABOUT THIS MANUAL	11

Chapter 1 - Introduction

Icon Key

Throughout this manual you will see icons on the left margin that denote either Notes or Special Remarks as outlined below:



General Notes and Tips



Remarks for PC users and Microsoft Windows OS



Remarks for Mac users and Apple Macintosh OS



Features mentioned in this manual may vary between different models.

The Orion

The ultimate in versatility, Macpower's Orion is compatible with both PATA and SATA hard drives. A unique 2 piece aluminium-plastic enclosure fits together perfectly to secure your valuable data content. Orion stays cool without a fan or heat sink, keeping the design compact and virtually silent during operation.

Product Dimensions: 20.6cm x 12.2cm x 3.6cm
 8.11" x 4.80" x 1.42"

Available Interfaces

- USB 2.0 High Speed (IDE or SATA)
- USB 2.0 High Speed (SATA)
- USB 2.0 High Speed (IDE)

Package Contents

- Orion storage enclosure
- External Power Adapter;
 Input 100-240V, Output 12V/2A, 5V/2A
- Interface cable & manual

MS-DOS, Microsoft, Windows 98/ME/2000/XP are trademarks of Microsoft Corporation. Apple Macintosh and Mac are trademarks of Apple Computer. All other third party brands and names are the property of their respective owners.



Package Content may vary, depending on vendor & version.

System Requirements

PC Requirements

- Minimum Intel Processor III 500MHz, 128MB RAM
- USB 1.1 equipped PC; WinME, Win2000, WinXP or above
- USB 2.0 equipped PC; WinME, Win2000, WinXP or above
- Your hardware device must have the correct corresponding port (eg. USB 2.0 or PCI card).

Mac Requirements

- Minimum Apple G3 processor, 128MB RAM
- USB 1.1 equipped Mac; Mac OS 9.2, 10.1.5, 10.2 or above
- USB 2.0 equipped Mac; Mac OS 10.2 or above
- Your hardware device must have the correct corresponding port (eg. USB 2.0 or PCI card).

LED Indicator

The Orion is using a single blue LED.

	Blue LED
Status ON, power ON	ON
Status ON, data access	Flickering
Status OFF	OFF

About Data Backup

To protect your files and help prevent the loss of your data, we strongly recommend that you keep two copies of your data, one copy on your external drive and a second copy either on your internal drive or another storage media such as DVD, Tape or an additional external drive.

Any loss or corruption of data while using the Orion is the sole responsibility of the user, and under no circumstances will the manufacturer be held liable for compensation or the recovery of this data.

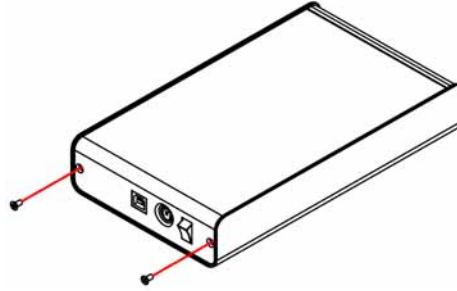
Chapter 2 - Installing the HDD

Your unit may come with a pre-installed hard drive. Before opening such an enclosure, please read the warranty and any other notes from your vendor carefully before doing so, as this could void your warranty.

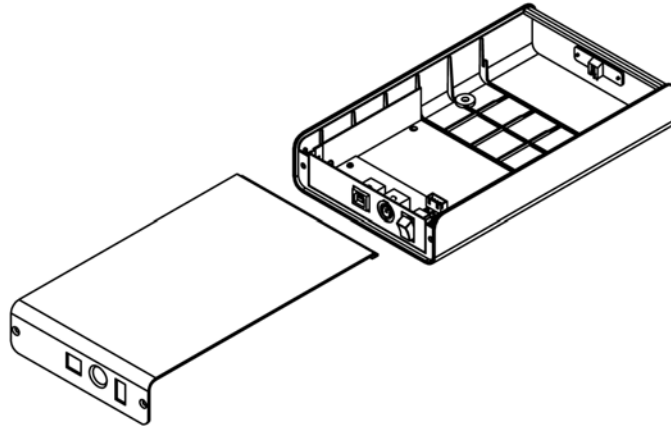
1. Remove the 2 screws on the rear panel of the enclosure.



Be careful not to damage any components during the installation.



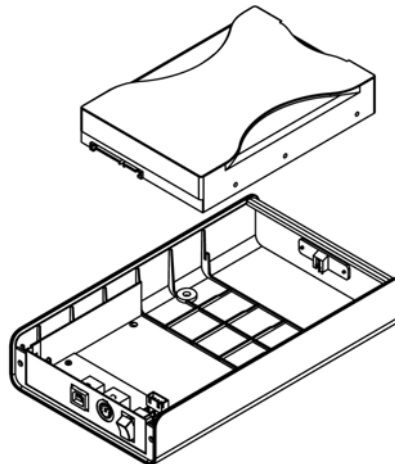
2. Lift the cover off the body.



3. Install the hard drive and connect the cables.



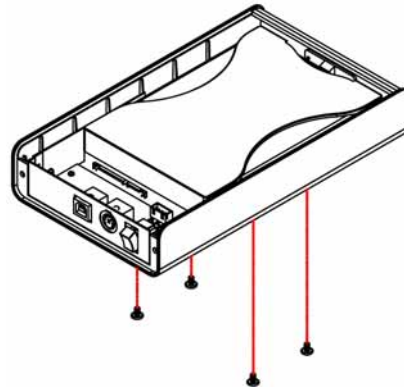
The hard drive jumper settings for IDE drives should be master or factory default.



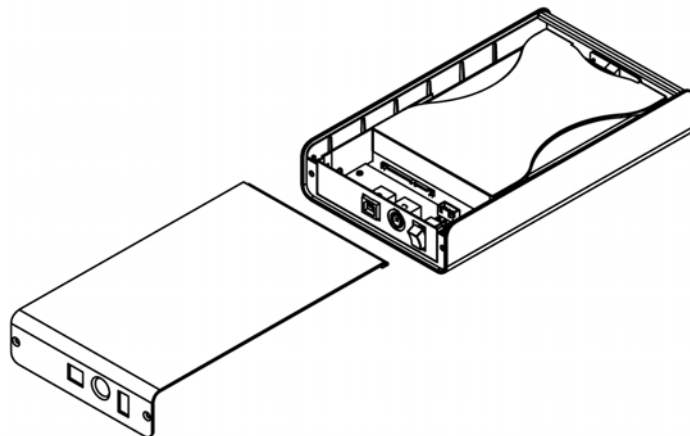


Be careful not to damage any cables or components and double check the connection between the cables, the bridge board and your hard drive before you close up the case.

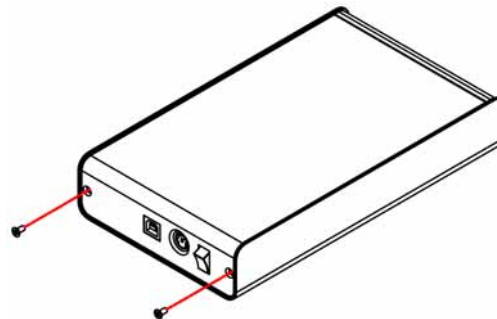
4. Mount the drive with the 4 screws from the bottom as seen in following illustration.



5. Slide the cover back into place.



6. Fasten the 2 screws on the rear panel to finish the assembly.



Chapter 3 - System Set Up

Connection to your Computer



If you buy a spare power adapter for your working place or at home, make sure the output and polarity is identical with the power adapter supplied!

A few tips on how to connect your external storage enclosure:

- Make sure your PCI Host Card is installed correctly
- Double check that the Host Card driver is up to date
- Do not cover the Enclosure and leave enough room around it for the drive to cool down
- Do not expose the product to water or humid conditions
- Always check for visible damage and defects of power and interface cables before using it
- We recommend using the cables and adapter supplied with your product

Detailed View



Rear View

1. USB 2.0 port
2. Power Receptacle
3. ON/OFF Switch

Note: Always connect the power adapter to your device BEFORE you plug it into the wall socket.



If the system doesn't recognise the drive, turn on the power first, before connecting the interface cable.

Installation on a PC

If the drive has been pre-installed and setup already, you do not need to prepare anything else and can use it straight away. If you have installed the drive yourself and this is a brand new HDD, you will have to create a partition first and format the drive before it can be used.

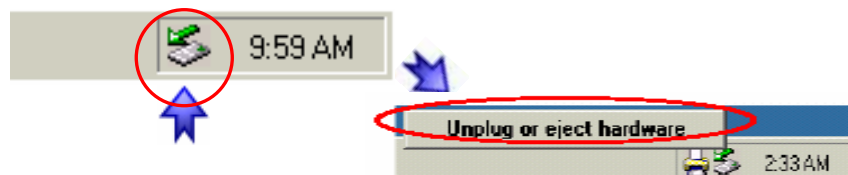
- Turn on your Computer and start Windows
- Connect the Orion and turn it on
- Let Windows search and install the driver automatically
- Open "My Computer" to see your external hard drive

For factory new drives and more info about formatting, see following pages under "Partitioning & Formatting".

Removal Procedure

For the safe removal of your drive and to assure that no data is lost, always follow the correct unplug procedure. Otherwise, an error message will appear.

- Click on the taskbar icon for external hardware
- Choose your external hard drive and confirm to remove it





If the system doesn't recognise the drive, turn on the power first, before connecting the interface cable.

Installation on a Macintosh

If the drive has been pre-installed and setup already, you do not need to prepare anything else and can use the unit straight away. If you have installed the drive yourself and this is a brand new HDD, you will have to create a partition first and format the drive before it will show up.

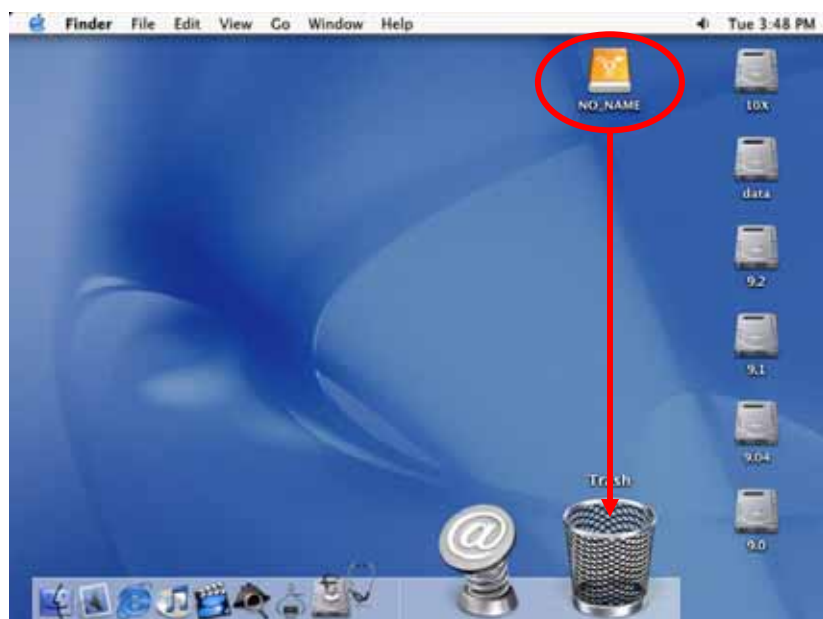
- Turn on your computer and start Mac OS
- Connect the Orion and turn it on
- No driver installation required
- The external drive will mount and show up on your desktop

For factory new drives and more info about formatting, see following pages under "Partitioning & Formatting".

Removal Procedure

For safe removal of your drive and to assure that no data is lost, always follow the unplug procedure. If not, an error message will show up.

- Drag the external hard drive icon into the trash bin
- Turn off your device





You can choose to create several partitions but be aware that if you want to change this at a later point, it's required to format the drive again or use 3rd party software.



Win98/SE and WinME do not recognise NTFS formatted drives, so if you want to use your drive on those platforms, we recommend you to use FAT32 instead.



If you use this device to backup your data using a 3rd party software running MS-DOS, we recommend you to format the drive using FAT32.

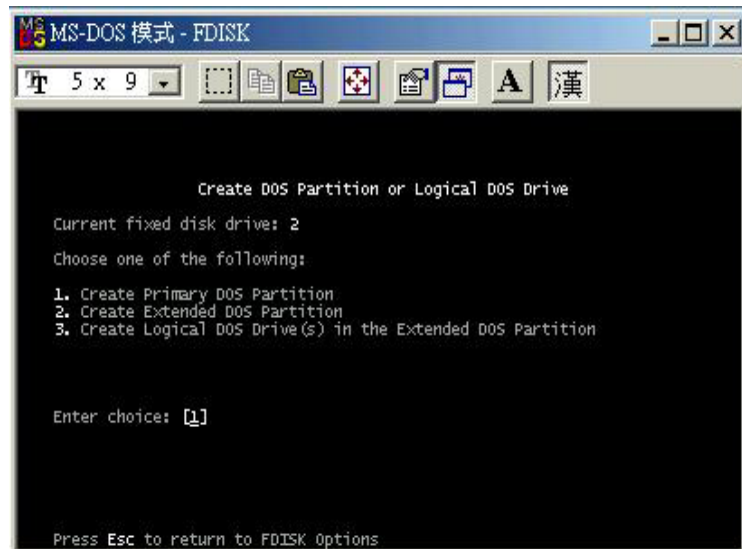
Partitioning & Formatting

Be aware that this will destroy all your existing data on the drive, so make sure you have a backup! This step is usually only required the first time you install a factory new hard drive, if you change the format or want to erase all data on your drive.

PC running Win98/SE or WinME

MS-DOS command "fdisk" (press Enter to confirm)

- Type "fdisk" and press Enter
- Select "Y" and press Enter
- Enter "5" to change the drive
- Select the drive you want to format
- Choose "1" and follow the onscreen instructions





If the drive does not appear, make sure the drivers are installed properly and the power is turned on!



If you are formatting the drive using the file system FAT32, the maximum size for a single file will be restricted to 4GB.

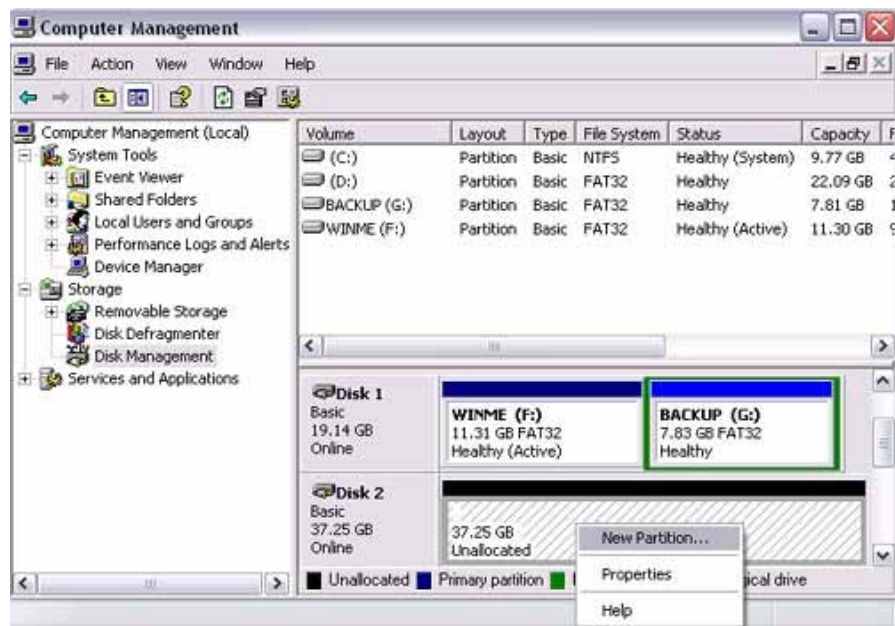


Mac OS can not write to NTFS formatted drives. To use your device on both platforms, we recommend you to use FAT32.

PC running Win2000 or WinXP

Disk Management Program

- Right click on “My Computer” and choose “Manage”
- Select “Disk Management”
- Choose the drive you want to format and right click on it for further commands (Choose New Partition)
- Follow the Partition Wizard



For Win2000 or WinXP, we recommend formatting the drive using the NTFS file system.

If you are using the FAT32 file system to format the drive on Win2000 or WinXP, the biggest single partition you can create will be 32GB. To create larger partitions, you need to use the DOS command under Win98SE or WinME or change to NTFS format.



If the drive does not appear on the desktop, make sure there are no extension conflicts and the power is turned on!



You can choose to create several partitions but be aware that if you want to change this at a later point, it's required to format the drive again.



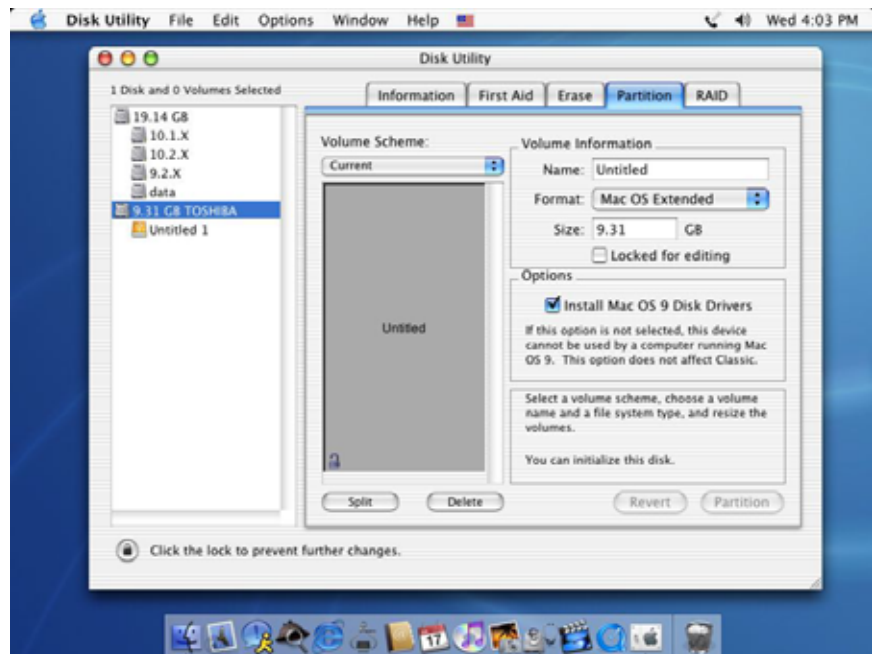
If you are formatting the drive using the file system FAT32, the maximum size for a single file will be restricted to 4GB.

Mac OS

Mac OS9.2 and earlier, does not support creating multiple partitions on an external drive. To do that, you would need to purchase additional 3rd party software or upgrade to OS X. Initialising the drives can be done on all Operating Systems.

For Mac OS X, use the Disk Utility to format and create partitions on your external disk.

- Select “Disk Utility” in the utilities folder
- Choose your external drive and format it according to your requirement



For Mac OS X, we recommend formatting the drive using the native Mac file system HFS+ also known as Mac OS Extended.

If you want to use your drive on a PC running Microsoft Windows as well as on your Mac, we recommend formatting the drive on a PC. Choose FAT32 when formatting and do not change anything on the partition or format on your Mac, otherwise the PC might not be able to recognise the drive anymore.



Please read your warranty carefully, as this may vary between different vendors!

Chapter 4 - Appendix

Technical Questions

For RMA and other questions, please contact your vendor or check out their online support area!

FAQ

Q: Can I use my device with USB bus power only?

A: No, you will always need to use an external power adapter for 3.5" hard drives like those used in the Orion enclosure.

Q: What file system should I choose to format my drive?

A: This will depend on how you want to use the drive but in general, here is what we recommend:

- Win2000 & WinXP → NTFS
- Mac OS X → HFS+ (Mac OS Extended)
- Win98/ME or to use it on both PC and Mac → FAT32

About this Manual

This manual covers all interfaces and combinations for the Orion enclosure. Images and descriptions might therefore slightly vary between this manual and the actual product you have.

© Copyright 2006 by Macpower & Tytech Technology Co., Ltd. all Rights Reserved

The information contained in this manual is believed to be accurate and reliable. Macpower & Tytech Technology assumes no responsibility for any errors contained in this manual. Macpower & Tytech Technology reserves the right to make changes in the specifications and/or design of this product without prior notice. The diagrams contained in this manual may also not fully represent the product that you are using and are there for illustration purposes only. Macpower & Tytech Technology assumes no responsibility for any differences between the product mentioned in this manual and the product you may have.