

Taurus - eSATA

*Dual-Bay Storage Enclosure for
3.5" Serial ATA Hard Drives*



User Manual

(English)

v1.1

September 27, 2006

EN

Table of Contents

<u>CHAPTER 1 - INTRODUCTION</u>	1	<u>CHAPTER 3 - SYSTEM SET UP</u>	6
ICON KEY	1	CONNECTION TO YOUR COMPUTER	6
THE PLEIADES TAURUS	1	HARD DISK MODE	6
AVAILABLE INTERFACES	1	INSTALLATION ON A PC	7
DETAILED VIEW	2	REMOVE PROCEDURE	7
FRONT VIEW	2	INSTALLATION ON A MACINTOSH	8
REAR VIEW	2	REMOVE PROCEDURE	8
SYSTEM REQUIREMENTS	3	PARTITIONING & FORMATTING	9
PC REQUIREMENTS	3	PC RUNNING WIN2000 OR WINXP	9
MAC REQUIREMENTS	3	MAC OS X	10
PACKAGE CONTENTS	3		
ABOUT DATA BACKUP	3	<u>CHAPTER 4 - APPENDIX</u>	11
<u>CHAPTER 2 - HARD DRIVE ASSEMBLY</u>	4	TECHNICAL QUESTIONS	11
		FAQ	11
		ABOUT THIS MANUAL	11

Chapter 1 - Introduction

Icon Key

Throughout this manual you will see icons on the left margin that denote either Notes or Special Remarks as outlined below:



General Notes and Tips



Remarks for PC users and Microsoft Windows OS



Remarks for Mac users and Apple Macintosh OS



Features mentioned in this manual may vary between different models.

The Pleiades Taurus

When it comes to raw power there is nothing to beat the new dual-bay Pleiades Taurus. Available in the classic Pleiades design, the Taurus is built strong and rugged, offering more than enough capacity to store all your digital media files. Great performance and great looks – only in the Pleiades Taurus.

Product Dimensions: 24.5cm x 13.3cm x 7.6cm
 9.65in x 5.23in x 3in

Available Interfaces

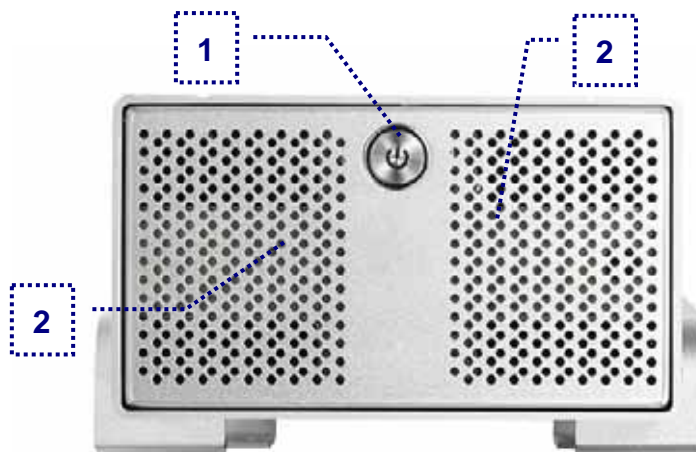
- eSATA
- Firewire 400/800 & USB 2.0

MS-DOS, Microsoft, Windows 98/ME/2000/XP are trademarks of Microsoft Corporation. Apple Macintosh and Mac are trademarks of Apple Computer. All other third party brands and names are the property of their respective owners.

Detailed View

Front View

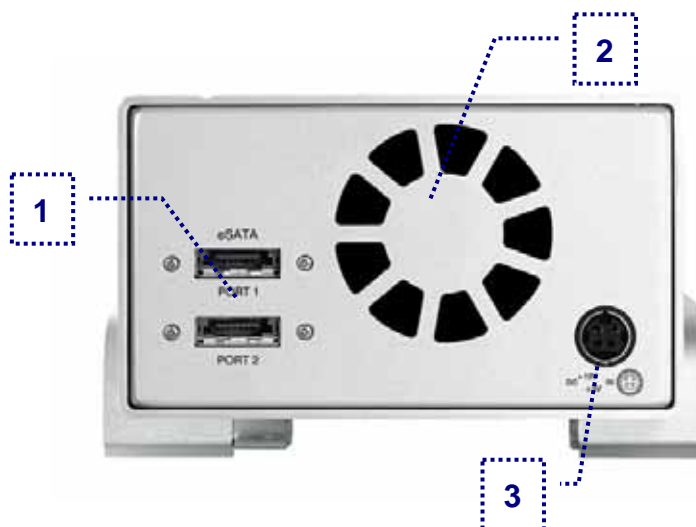
1. ON/OFF Switch
2. Ventilation Holes



Note: To turn on the power, press the ON/OFF switch and release it. To turn it off, press the ON/OFF switch, hold it for 3 seconds and then release it again.

Rear View

1. eSATA ports
2. Fan for Ventilation
3. Power Receptacle



Note: The Taurus requires one eSATA port per hard drive. To use both hard drives, you will need two free eSATA ports on your computer.

System Requirements

PC Requirements

- Minimum Intel Pentium III CPU 500MHz, 128MB RAM
- eSATA equipped PC; Win2000, WinXP or above
- Your hardware device must have the correct corresponding port (eg. eSATA or PCI card).

Mac Requirements

- Minimum Apple G4, 128MB RAM
- eSATA equipped Mac; Mac 10.2 or above
- Your hardware device must have the correct corresponding port (eg. eSATA or PCI card).



Package Content may vary, depending on vendor & version.

Package Contents

- Pleiades Taurus
- External Power Adapter; Input 100-240V, Output +12V/3A, +5V/4.2A
- Power Cord
- Interface Cables
- Manual

About Data Backup

To protect your files and help prevent the loss of your data, we strongly recommend that you keep two copies of your data, one copy on your Taurus and a second copy either on your internal drive or another storage media such as DVD, Tape or an additional external drive.

Any loss or corruption of data while using the Taurus is the sole responsibility of the user, and under no circumstances will the manufacturer be held liable for compensation or the recovery of this data.

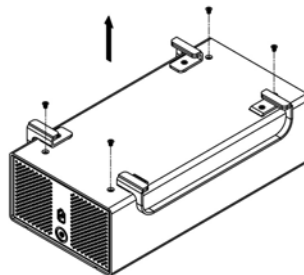
Chapter 2 - Hard Drive Assembly

Your unit may come with a pre-installed hard drive. Before opening such an enclosure, please read the warranty and any other notes from your vendor carefully before doing so, as this could void your warranty.

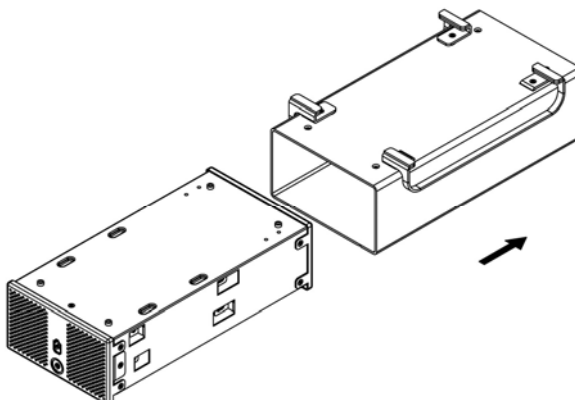


The aluminium stand does not have to be removed for drive assembly.

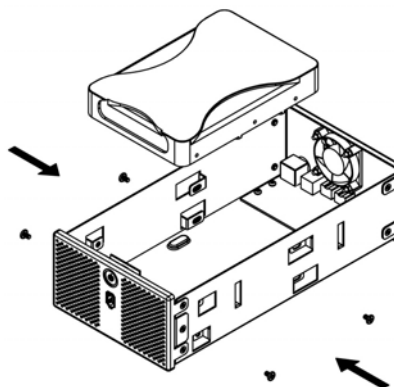
1. Remove the four screws at the bottom of the case.



2. Push the inner enclosure out, and remove the outer chassis.



3. Install the first hard drive and mount it with two screws on each side.

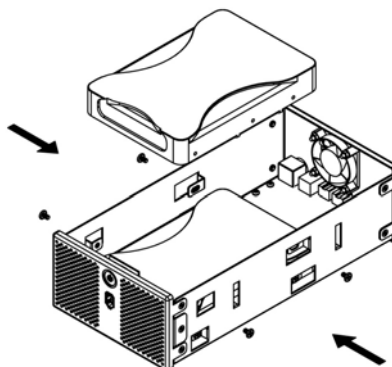


Be careful not to damage any cables or components, and make sure the cables are connected firmly.



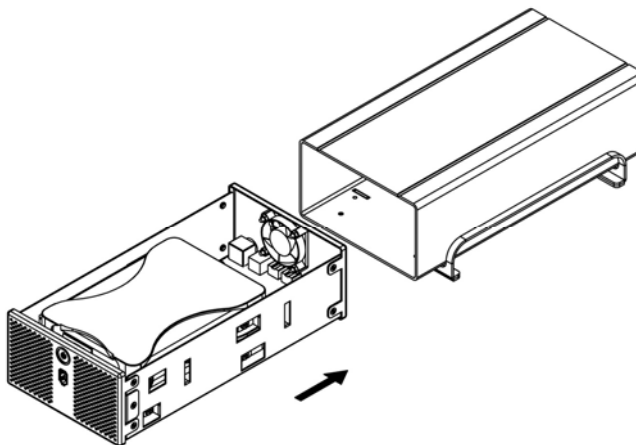
Be careful not to damage any cables or components, and make sure the cables are connected firmly.

4. Install the second hard drive and mount it with two screws on each side.

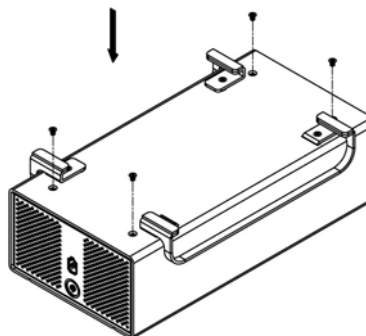


5. Connect the SATA and power cables to your hard drives. Be careful not to damage any components and confirm that the cables are connected firmly.

6. Slide the inner enclosure back into the outer chassis.



7. Fasten the four screws to finish the assembly.



Chapter 3 - System Set Up

Connection to your Computer



If you buy a spare power adapter, make sure the output and polarity is identical with the power adapter supplied!

A few tips on how to use your external storage enclosure:

- **Always connect the power adapter to your device before you plug it into the wall socket**
- Check the cables for visible damage before turning it on
- Do not expose the product to water or humid conditions
- Do not cover the enclosure's ventilation holes
- Make sure your PCI Host Card is installed correctly and the driver is up to date
- Do not cover the Enclosure and leave enough room around it for the drive to cool down
- We recommend using the cables and adapter supplied with your product

Hard Disk Mode

The Taurus requires one eSATA port per hard drive. To use both hard drives, you will need two free eSATA ports on your computer.

When not in use, turn off the power. For the hard drives to go into stand-by with the Operating System, we recommend using SATA II hard drives.



If the system doesn't recognise the drive, turn on the power first, before connecting the interface cable or connect the device before booting your Operating System.

Installation on a PC

If the drives have been pre-installed and setup already, you do not need to prepare anything else and can use it straight away.

If you have installed the drives yourself and these are brand new hard drives, you will have to create a partition first and format the drives before they will be available.

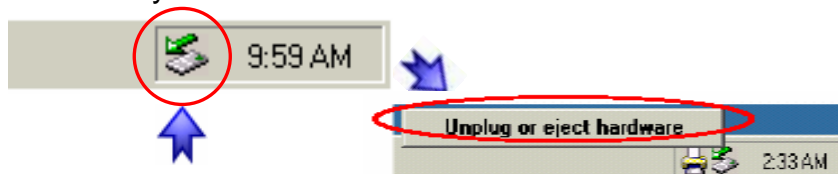
- Turn on your Computer and start Windows
- Connect the Taurus and turn it on
- Let Windows search and install the driver automatically
- Open "My Computer" to see your external hard drive

For factory new drives and more info about formatting, see following pages under "Partitioning & Formatting".

Remove Procedure

For the safe removal of your drive and to assure that no data is lost, always follow the correct unplug procedure. Otherwise, an error message will appear.

- Click on the taskbar icon for external hardware
- Choose your external hard drive and confirm to remove it





If the system doesn't recognise the drive, turn on the power first, before connecting the interface cable or connect the device before booting your Operating System.



For the safe removal of your drive and to assure that no data is lost, always follow the unplug procedure.

Installation on a Macintosh

If the drives have been pre-installed and setup already, you do not need to prepare anything else and can use it straight away.

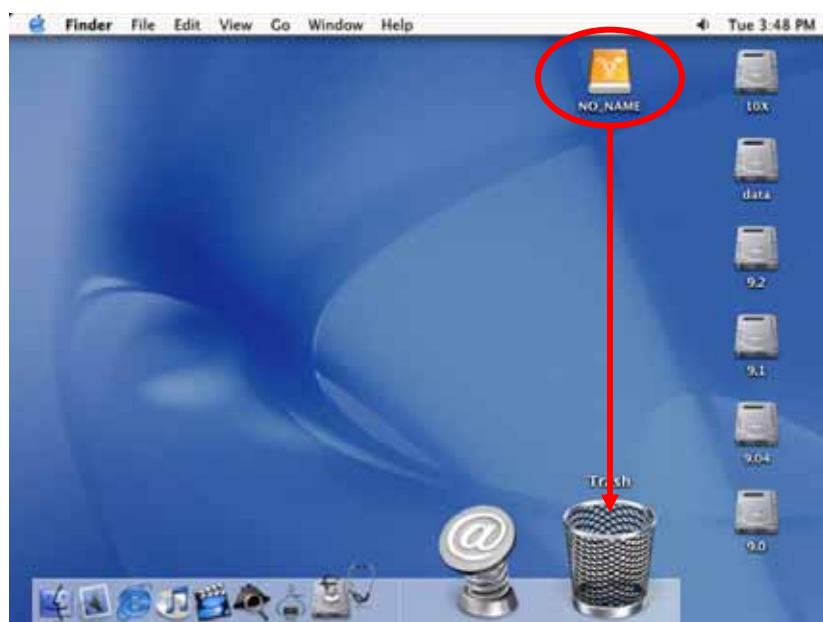
If you have installed the drives yourself and these are brand new hard drives, you will have to create a partition first and format the drives before they will be available.

- Turn on your computer and start Mac OS
- Connect the Taurus and turn it on
- No driver installation required
- The external drive will mount and show up on your desktop

For factory new drives and more info about formatting, see following pages under "Partitioning & Formatting".

Remove Procedure

- Drag the external hard drive icon into the trash bin
- Turn off your device





You can choose to create several partitions but be aware that if you want to change this at a later point, it's required to format the drive again or use 3rd party software.



If you are formatting the drive using the file system FAT32, the maximum size for a single file will be restricted to 4GB.



Mac OS can not write to NTFS formatted drives. To use your device on both platforms, we recommend using FAT32 instead.

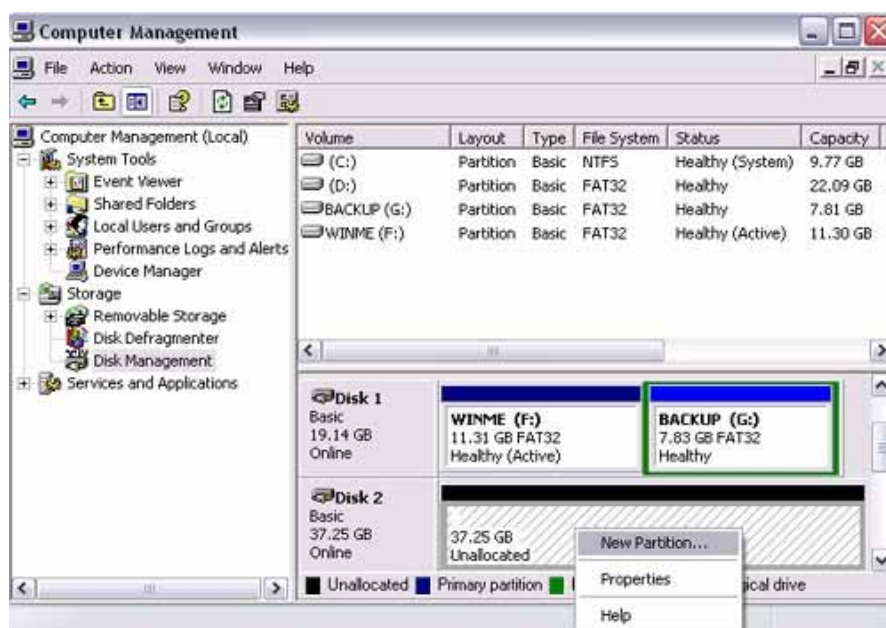
Partitioning & Formatting

Be aware that this will destroy all your existing data on the drive, so make sure you have a backup! This step is usually only required the first time you install a factory new hard drive, if you change the format or want to erase all data on your drive.

PC running Win2000 or WinXP

Disk Management Program

- Right click on “My Computer” and choose “Manage”
- Select “Disk Management”
- Choose the drive you want to format and right click on it for further commands (Choose New Partition)
- Follow the Partition Wizard



For Win2000 or WinXP, we recommend formatting the drive using the NTFS file system.

If you are using the FAT32 file system to format the drive on Win2000 or WinXP, the biggest single partition you can create will be 32GB. To create larger partitions, you need to use 3rd party software.



If the drive does not appear on the desktop, make sure there are no extension conflicts and the power is turned on!



You can choose to create several partitions but be aware that if you want to change this at a later point, it's required to format the drive again.

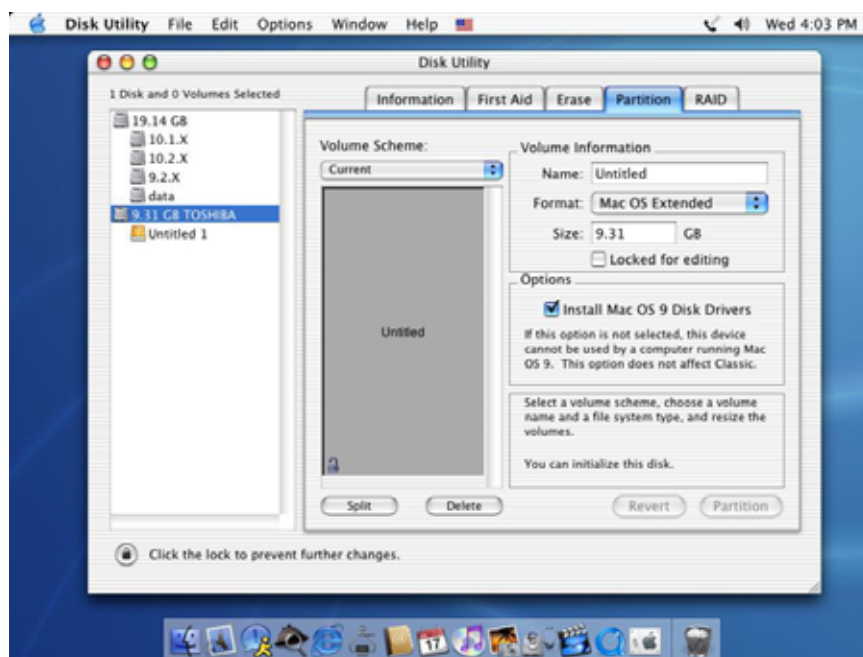


If you are formatting the drive using the file system FAT32, the maximum size for a single file will be restricted to 4GB.

Mac OS X

For Mac OS X, use the Disk Utility to format and create partitions on your external drive.

- Select “Disk Utility” in the utilities folder
- Choose your external drive and format it according to your requirement



For Mac OS X, we recommend formatting the drive using the native Mac file system HFS+ also known as Mac OS Extended.

If you want to use your drive on a PC running Microsoft Windows as well as on your Mac, we recommend using FAT32 instead. In the disk utility, this file system is known as MS-DOS.



Please read your warranty carefully, as this may vary between different vendors!

Chapter 4 - Appendix

Technical Questions

For RMA and other questions, please contact your vendor or check out their online support area!

FAQ

Q: What file system should I choose to format my drive?

A: This will depend on how you want to use the drive but in general, here is what we recommend:

- Win2000 & WinXP → NTFS
- Mac OS X → HFS+ (Mac OS Extended)
- To use it on both PC and Mac → FAT32

About this Manual

This manual covers the generic SATA version of the Taurus. Images and descriptions might slightly vary between this manual and the actual product you have.

© Copyright 2006 by Macpower & Tytech Technology Co., Ltd. all Rights Reserved

The information contained in this manual is believed to be accurate and reliable. Macpower & Tytech Technology assumes no responsibility for any errors contained in this manual. Macpower & Tytech Technology reserves the right to make changes in the specifications and/or design of this product without prior notice. The diagrams contained in this manual may also not fully represent the product that you are using and are there for illustration purposes only. Macpower & Tytech Technology assumes no responsibility for any differences between the product mentioned in this manual and the product you may have.