

Freshman - USB

*Storage Enclosure for 2.5"
IDE or SATA Hard Drives*



User Manual

v1.0
June 29, 2007

EN

Table of Contents

CHAPTER 1 - INTRODUCTION	1
ICON KEY	1
THE FRESHMAN USB	1
OTHER AVAILABLE INTERFACES	1
SYSTEM REQUIREMENTS	2
PC REQUIREMENTS	2
MAC REQUIREMENTS	2
PACKAGE CONTENTS	2
DETAILED VIEW	2
CHAPTER 2 - HARD DRIVE ASSEMBLY	3
CHAPTER 3 - SYSTEM SET UP	5
CONNECTION TO YOUR COMPUTER	5
POWER MANAGEMENT	5
ABOUT DATA BACKUP	5
INSTALLATION ON A PC	6
REMOVE PROCEDURE	6
INSTALLATION ON A MAC	7
REMOVE PROCEDURE	7
PARTITIONING & FORMATTING	8
PC RUNNING WINDOWS	8
MAC OS	9
CHAPTER 4 - APPENDIX	10
TECHNICAL QUESTIONS	10
FAQ	10
ABOUT THIS MANUAL	10

Chapter 1 - Introduction

Icon Key

Throughout this manual you will see icons on the left margin that denote either Notes or Special Remarks as outlined below:



General Notes and Tips



Remarks for PC users and Microsoft Windows OS



Remarks for Mac users and Apple Macintosh OS



Features mentioned in this manual may vary between different models.

The Freshman USB

The Freshman is a slim, compact and outstanding looking IDE or SATA to USB 2.0 external hard drive enclosure. The case is made of aluminium and designed for drives with a thickness of 9.5mm. Being small enough to fit in your pocket and running solely on bus-power, makes it very convenient for carrying your data while on the go.

Product Dimensions: 12.5cm x 7.6cm x 1.3cm
 4.92in x 2.99in x 0.53in

Other Available Interfaces

- USB 2.0 High Speed (for IDE drives)
- USB 2.0 High Speed (for SATA drives)

MS-DOS, Microsoft, Windows 2000/XP/Vista are trademarks of Microsoft Corporation. Apple Macintosh and Mac are trademarks of Apple Computer. All other third party brands and names are the property of their respective owners.



The host computer needs to provide sufficient USB bus power.



Package Content may vary, depending on vendor & version.

System Requirements

PC Requirements

- Minimum Intel Pentium III CPU 500MHz, 128MB RAM
- USB 1.1 equipped PC; Win2000, WinXP or Windows Vista
- USB 2.0 equipped PC; Win2000, WinXP or Windows Vista

Mac Requirements

- Minimum Apple G4 processor, 128MB RAM
- USB 1.1 equipped Mac; Mac OS 10.2 or above
- USB 2.0 equipped Mac; Mac OS 10.2 or above

Package Contents

- Freshman Enclosure (no HDD included)
- USB cable
- Carrying case
- Manual

Detailed View

1. USB 2.0 High Speed port
2. LED indication (double coloured LED)
green = power on
red (blinking) = data access



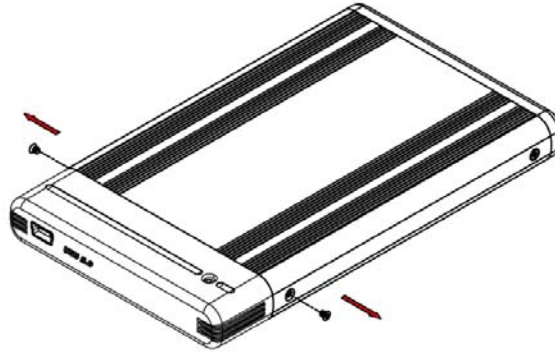
Chapter 2 - Hard Drive Assembly

Your unit may come with a pre-installed hard drive. Before opening such an enclosure, please read the warranty from your vendor carefully, as this could void your warranty.

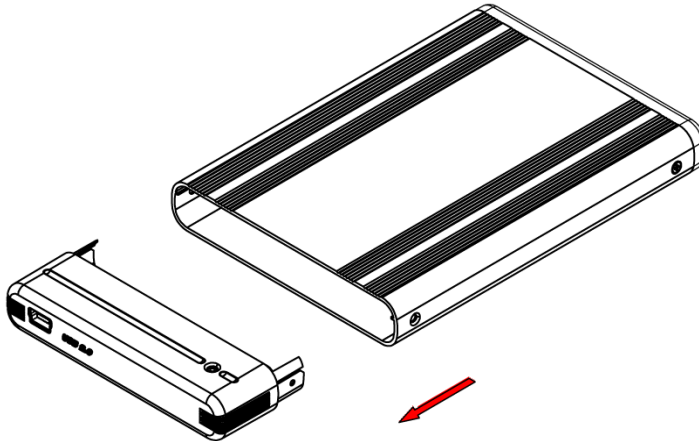


The rear part does not have to be removed for drive assembly.

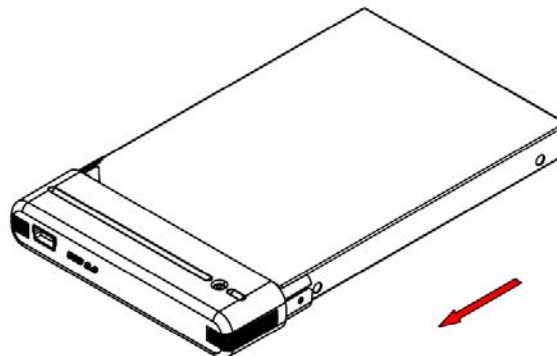
1. Remove the two screws from the front part.



2. Gently pull out the front part.



3. Install the hard drive by connecting it to the front part.

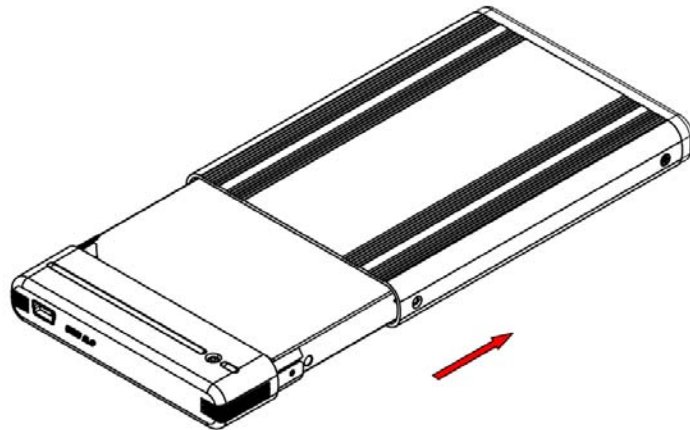


Be careful not to damage any pins or components, and make sure the drive is connected firmly.

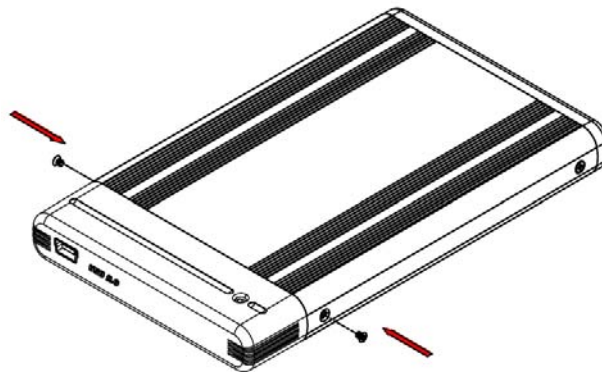


Be careful not to damage any of the components during the assembly.

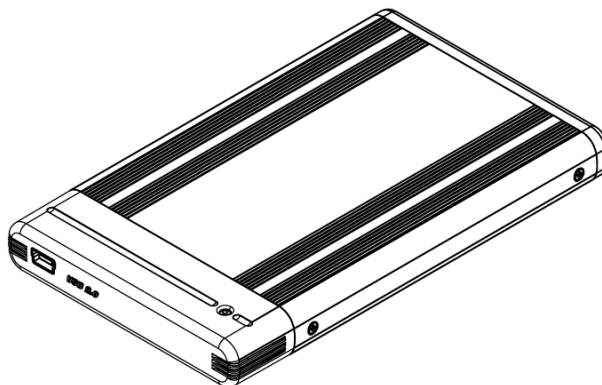
4. Slide the drive with the front part back into the enclosure.



5. Fasten the two screws to finish the assembly.



6. Done!





Do not move your device when the hard drive is still spinning.



We recommend using the USB cable that has been supplied with your product!

Chapter 3 - System Set Up

Connection to your Computer

A few tips on how to use your external storage enclosure:

- Check the cables for visible damage before connecting it
- Do not expose the product to water or humid conditions
- Do not cover the enclosure
- We recommend using the cables supplied with your product

Power Management

This device runs solely on USB bus power. Your USB port on the host side has to provide sufficient bus power to use this drive.

If the supplied bus power is limited or insufficient, a special USB power cable (Y-cable) is required to use the power from two USB ports at the same time. For optimal power consumption, we recommend using a short and thick USB cable (20-30cm), and a drive with low power consumption.

When connecting the drive to your computer, we strongly recommend using the USB onboard connector and not a USB front extension or hub.

About Data Backup

To protect your files and help prevent the loss of your data, we strongly recommend that you keep two copies of your data, one copy on your Freshman and a second copy either on your internal drive or another storage media such as a CD, DVD, Tape or an additional external drive. Any loss or corruption of data while using the Freshman is the sole responsibility of the user, and under no circumstances will the manufacturer be held liable for compensation or the recovery of this data.



If the drive does not spin up, please refer to the Power Management section and make sure there is sufficient bus power.

Installation on a PC

Before connecting the device, make sure the drive has been installed properly and the unit has been removed from its carrying case.

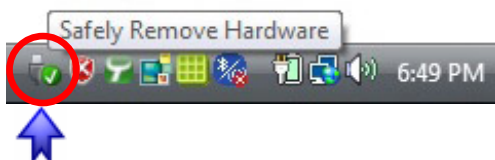
- Turn on your Computer and start Windows
- Connect the Freshman to your computer
- Let Windows search and install the driver automatically
- Open “My Computer” to see your external hard drive

For factory new drives and more info about formatting, see “Partitioning & Formatting”.

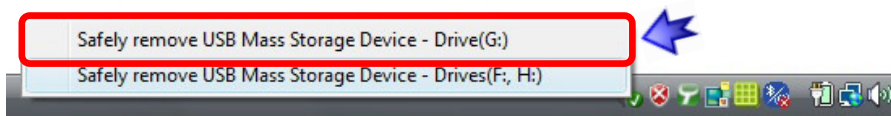
Remove Procedure

For the safe removal of your drive and to assure that no data is lost, always follow the correct unplug procedure. Otherwise, an error message will appear.

- Click on the taskbar icon for external hardware



- Choose your external hard drive and confirm to remove it





If the drive does not spin up, please refer to the Power Management section and make sure there is sufficient bus power.



For the safe removal of your drive and to assure that no data is lost, always follow the unplug procedure.

Installation on a Mac

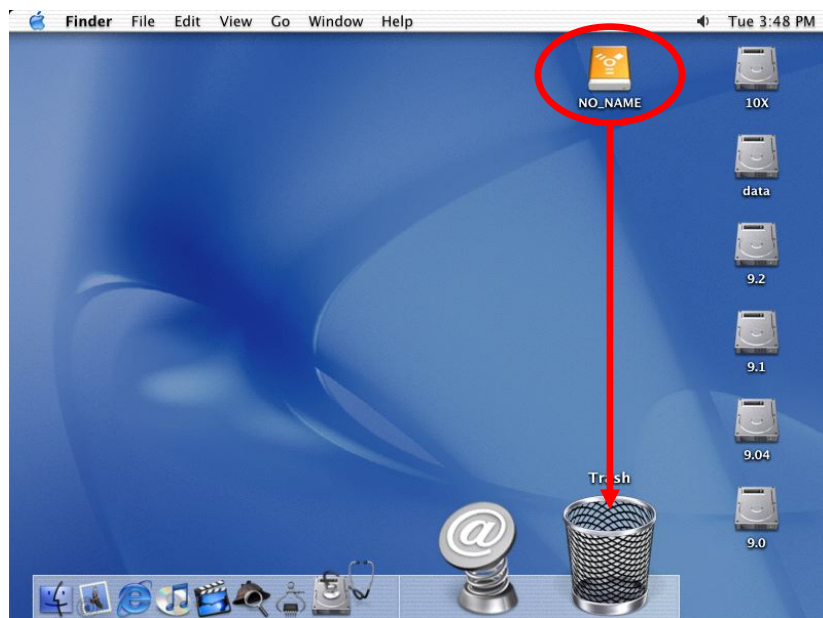
Before connecting the device, make sure the drive has been installed properly and the unit has been removed from its carrying case.

- Turn on your computer and start Mac OS
- Connect the Freshman to your computer
- No driver installation required
- The external drive will mount and show up on your desktop

For factory new drives and more info about formatting, see "Partitioning & Formatting".

Remove Procedure

- Drag the external hard drive icon into the trash bin
- Turn off your device





If the drive does not appear, make sure the drivers are installed properly and bus power is sufficient!



Mac OS can not write to NTFS formatted drives. To use your device on both platforms, we recommend you to use FAT32.

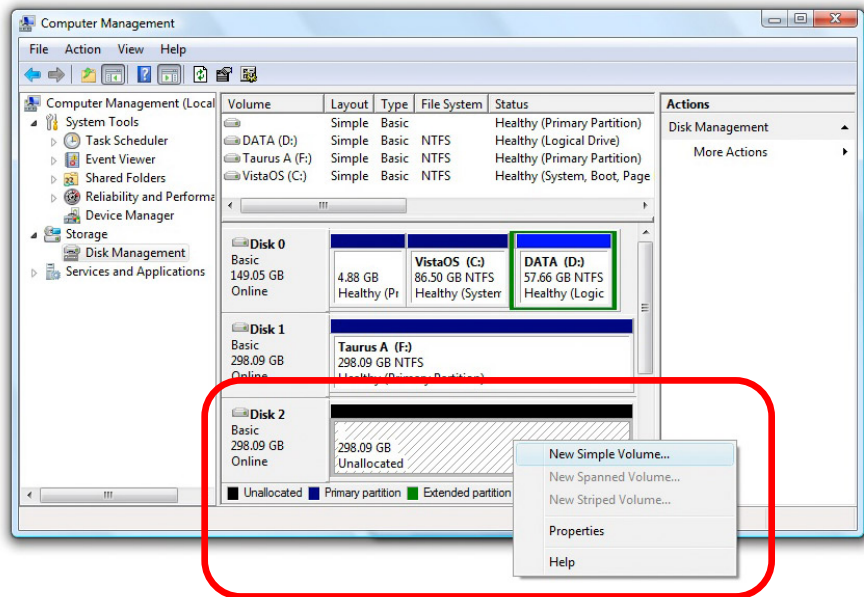
Partitioning & Formatting

Be aware that this will destroy all your existing data on the drive, so make sure you have a backup! This step is usually only required the first time you install a factory new hard drive or if you want to erase all data on your drive.

PC running Windows

Disk Management Program

- Right click on “My Computer” and choose “Manage”
- Select “Disk Management”
- Choose the drive you want to format and right click on it for further commands (Choose New Partition)
- Follow the Partition Wizard to setup the drive



For Win2000, WinXP and Windows Vista, we recommend formatting the drive using the NTFS file system.

If you are using the FAT32 file system to format the drive on Win2000, WinXP or Windows Vista, the biggest single partition you can create will be 32GB. To create larger partitions, you need to use a 3rd party application or change to NTFS format.

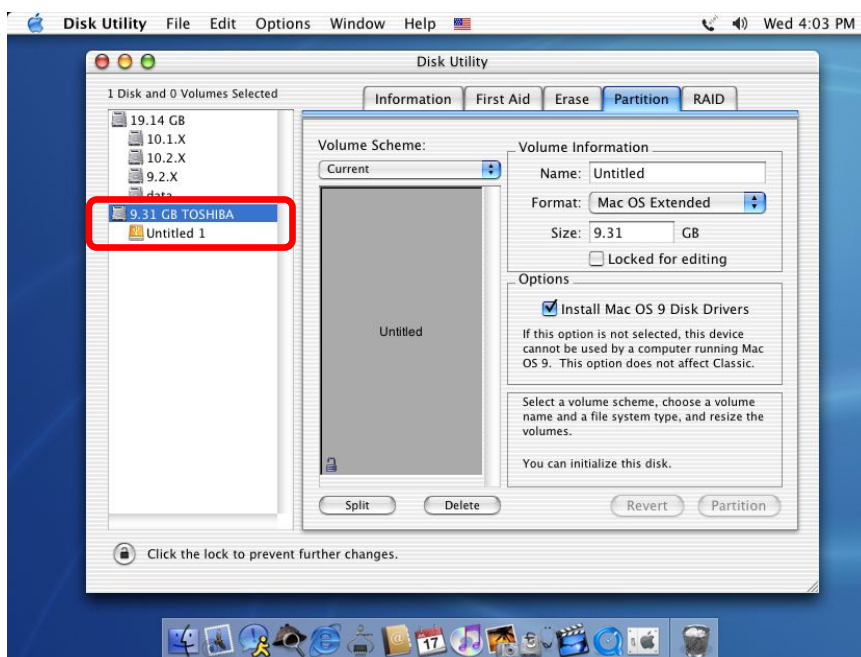


If the drive does not appear on the desktop, make sure there are no extension conflicts and the bus power is sufficient!

Mac OS

For Mac OS X, use the Disk Utility to format and create partitions on your external disk.

- Select “Disk Utility” in the utilities folder
- Choose your external drive and format it according to your requirements



For Mac OS X, we recommend formatting the drive using the native Mac file system HFS+ also known as Mac OS Extended.

If you want to use your drive on a PC running Microsoft Windows as well as on your Mac, we recommend you to use the FAT32 file system. On your Mac, select MS-DOS when formatting it. Note: The file size for a single file on FAT32 is limited to 4GB.



Please read your warranty carefully, as this may vary between different vendors!

Chapter 4 - Appendix

Technical Questions

For RMA and other questions, please contact your vendor or check out their online support area!

FAQ

Q: What file system should I choose to format my drive?

A: This will depend on how you want to use the drive but in general, here is what we recommend:

- Win2000, WinXP, Windows Vista → NTFS
- Mac OS X → HFS+ (Mac OS Extended)
- To use it on both PC and Mac → FAT32

Q: It's connected but the drive does not spin up!

A: Make sure there is sufficient USB bus power. Refer to the Power Management section for further details.

About this Manual

This manual covers the generic version of the Freshman. Firmware, images and descriptions might slightly vary between this manual and the actual product you have.

© Copyright 2007 by Macpower & Tytech Technology Co., Ltd. all Rights Reserved

The information contained in this manual is believed to be accurate and reliable. Macpower & Tytech Technology assumes no responsibility for any errors contained in this manual. Macpower & Tytech Technology reserves the right to make changes in the specifications and/or design of this product without prior notice. The diagrams contained in this manual may also not fully represent the product that you are using and are there for illustration purposes only. Macpower & Tytech Technology assumes no responsibility for any differences between the product mentioned in this manual and the product you may have.